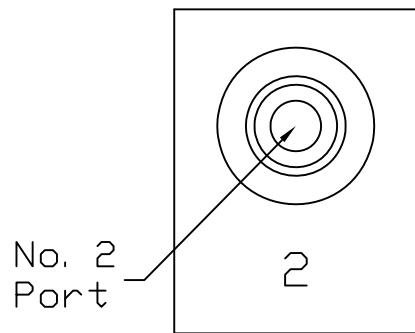


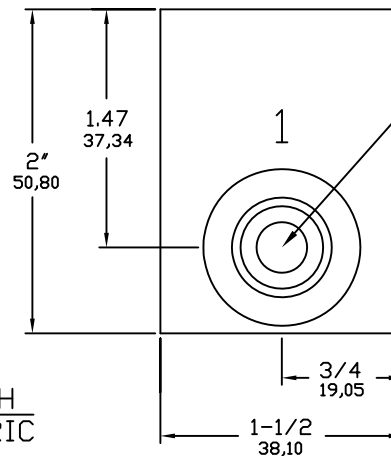
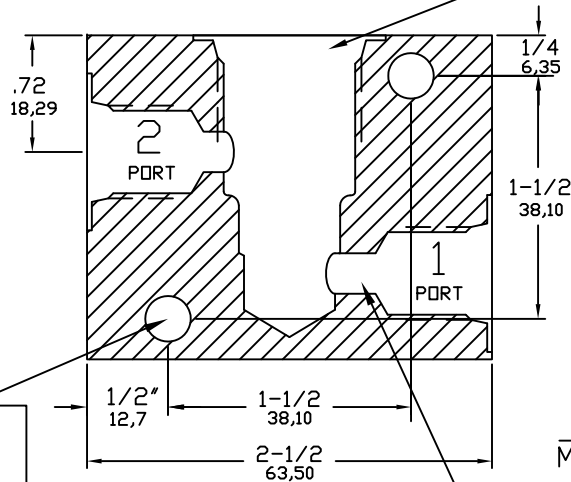
Identification  
Front & Back

Valve Cavity:  
Doering C-8542  
Industry 10-2



No. 2  
Port

Mounting Holes (2 Pl.)  
9/32" Diameter,  
Clearance for 1/4" or M6



No. 1  
Port

INCH  
METRIC

ø5/16" (7.94mm) Diameter  
Restriction at Ports 1 & 2

### ORDER INFORMATION:

S8542-

Ports 1 & 2

- 1 (1/8 NPT)
- 2 (1/4 NPT)
- 3 (3/8 NPT)
- 4 (SAE4, □RB)
- G4 (G 1/4-19 BSPP)
- 6 (SAE6, □RB)
- G6 (G 3/8-19 BSPP)

Material Option, Pressure Rating

Pressure Note: Double pressure rating for Port 1 only.

Blank	(6061 Aluminum)	3,000 PSIG
S	(304 Stainless)	5,000 PSIG
S316	(316 Stainless)	5,000 PSIG

Doering Line Mount Housing for  
Cartridge Valve.

Also see Spec. Sheet No. 1201455  
for wider Line Mount body style.

Also see Spec. Sheet No. 1202982  
for Panel Mount Housing.

