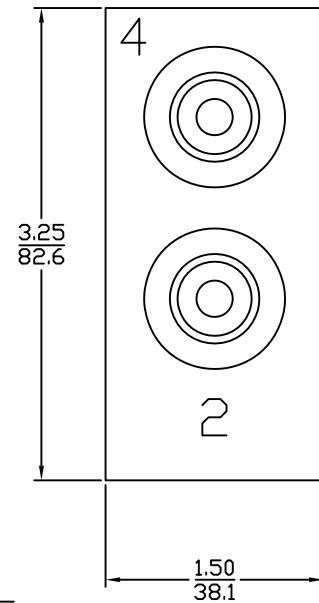
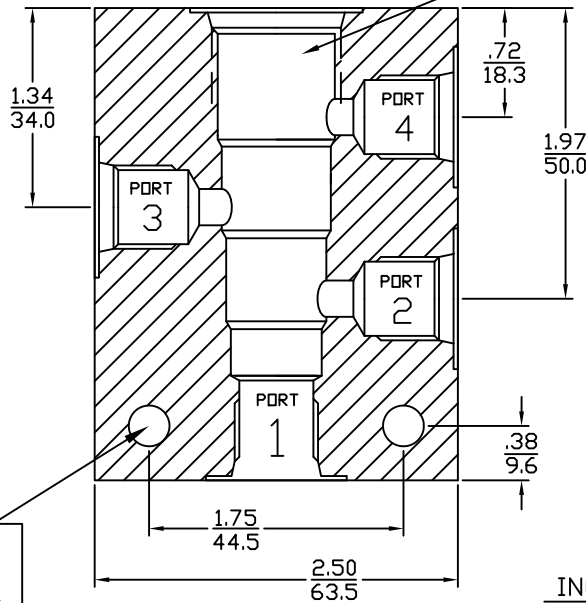
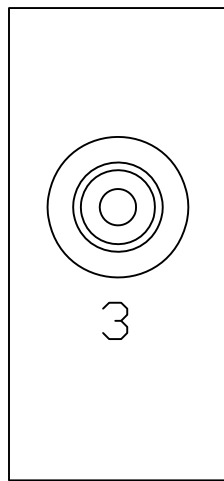
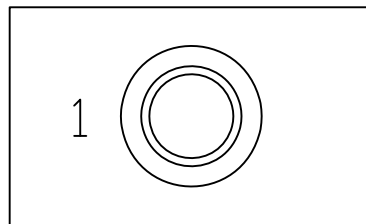


Valve Cavity:
Doering C-8544 (10-4)
Cavity Drawing: 1200671



Mounting Holes (2 Pl.)
9/32" Diameter,
Clearance for 1/4" or M6



**ORDER
INFORMATION:**

S8544-

Ports 1, 2, 3 & 4

- 1 (1/8 NPT)
- 2 (1/4 NPT)
- 3 (3/8 NPT)
- 4 (SAE4, DRB)
- G4 (G 1/4-19 BSPP)
- 6 (SAE6, DRB)
- G6 (G 3/8-19 BSPP)

Material Option, Pressure Rating

- Blank (6061 Aluminum) 3,000 PSIG
- S (304 Stainless) 5,000 PSIG
- S316 (316 Stainless) 5,000 PSIG