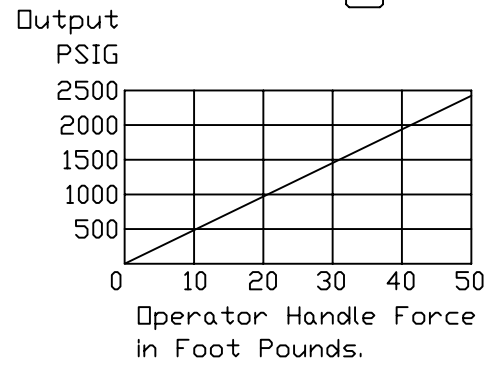
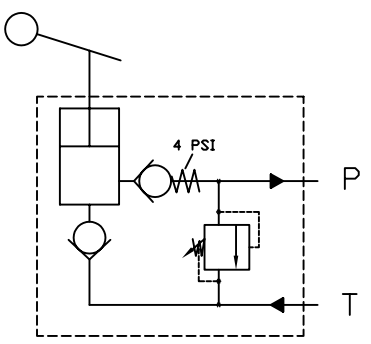
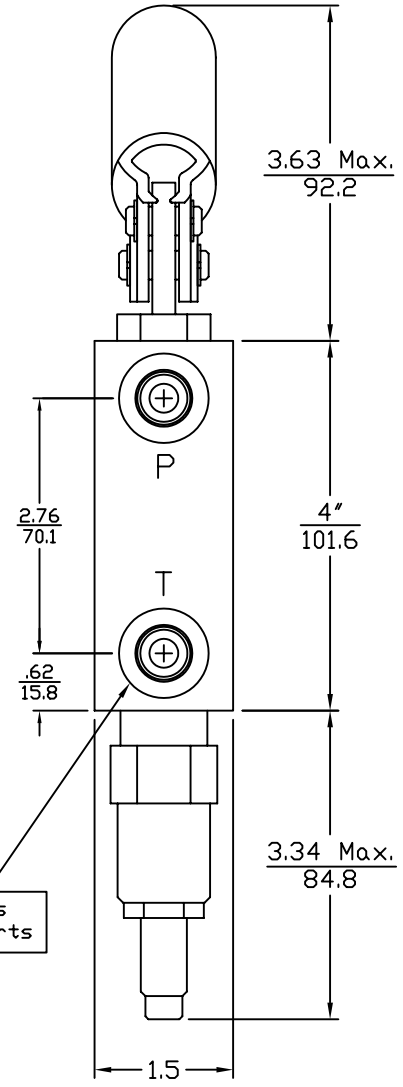
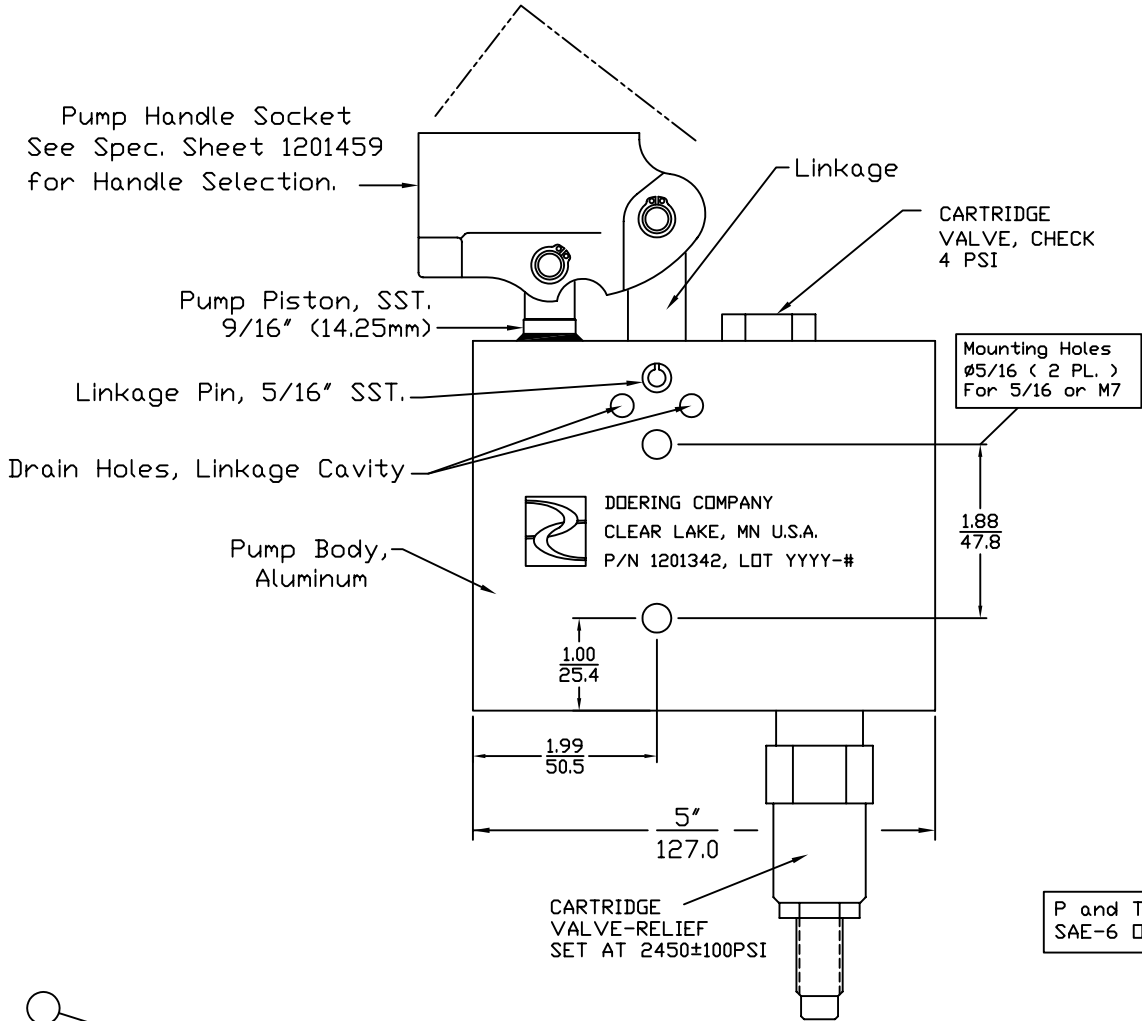
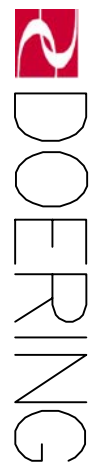


6343 RIVER ROAD SE ■ CLEAR LAKE, MN 55319 USA
 Telephone: 320-743-2276 ■ Fax: 320-743-3723
 mailbox@doering.com ■ www.doering.com



Displacement Per Cycle (Fill+Discharge)	
.249 Cubic Inches	4.0CC Cubic Centimeters

SPEC. SHEET NO. 1201342 REV. 005

INCH
METRIC