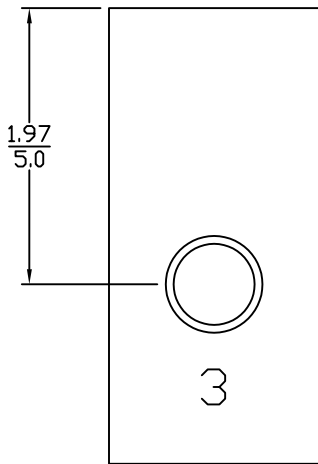
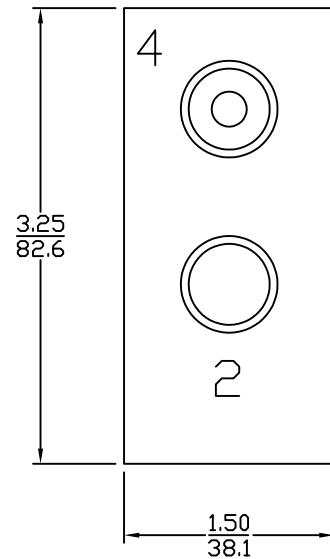
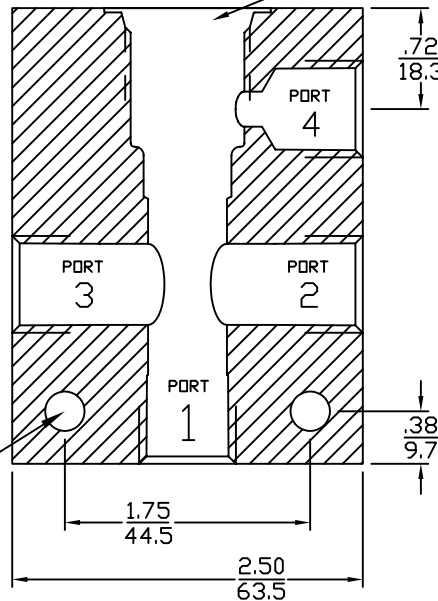


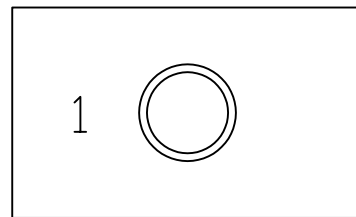
Valve/Pump Cavity:  
 Doering C-8542 (10-2)  
 Cavity Drawing: 1200621



Mounting Holes (2 Pl.)  
 9/32" Diameter,  
 Clearance for 1/4" or M6



INCH  
 METRIC



**ORDER INFORMATION:**

S1939-

Ports 1, 2, 3 & 4

- 1 (1/8 NPT)
- 2 (1/4 NPT)
- 3 (3/8 NPT)
- 4 (SAE4, □RB)
- 6 (SAE6, □RB)

Material Option, Pressure Rating

- Blank (6061 Aluminum) 3,000 PSIG
- S (304 Stainless) 5,000 PSIG
- S316 (316 Stainless) 5,000 PSIG