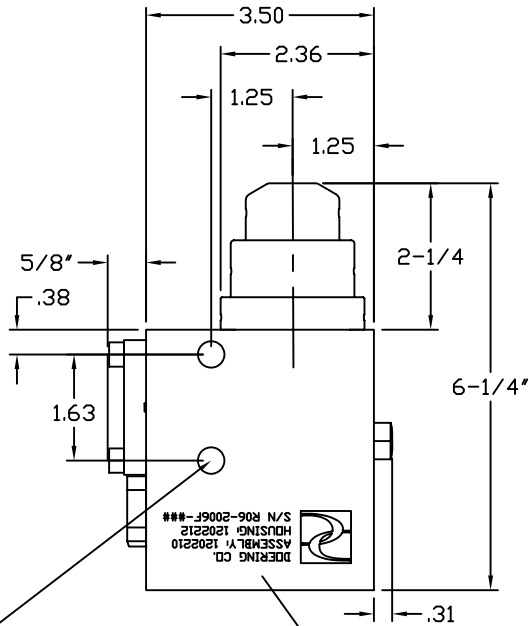


Complete Assembly order Doering P/N: 1202210

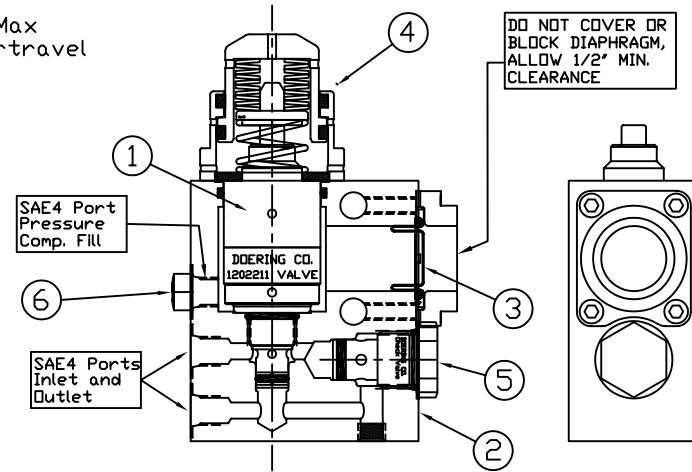
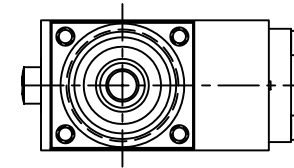
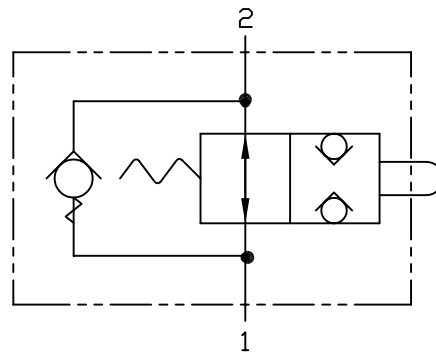
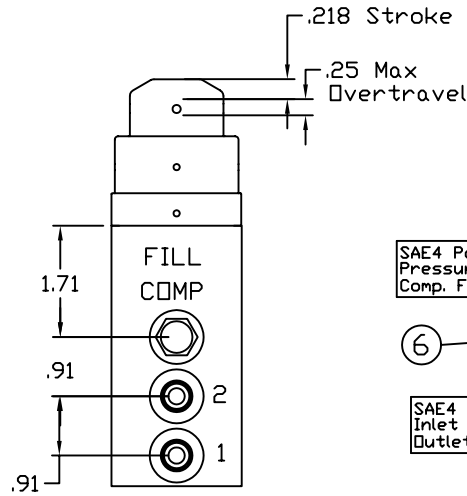
Key Description & Doering Part Number

- Key 1 1202211 Doering Valve, Material Stainless Steel
- Key 2 1202212 Housing, Material Anodized Aluminum
- Key 3 1202728 Pressure Compensation Diaphragm, ± 1/2" Stroke
- Key 4 1202226 Pilot Dome Assembly
- Key 5 DCV-N-10-N-03 replaces DCVHB-10-03 Doering Check Valve
- Key 6 1202735 Plug, SAE 4, Material Stainless Steel



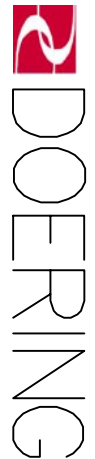
Ø13/32 (2 PL.)
Clearance for 3/8" or M10
Mounting Holes

Valve Assembly
P/N and S/N



DO NOT REMOVE
THIS CONST. PLUG

1202210
Assembly



6343 RIVER ROAD SE ■ CLEAR LAKE, MN 55319 USA
Telephone: 320-743-2276 ■ Fax: 320-743-3723
mailto:doering.com ■ www.doering.com