

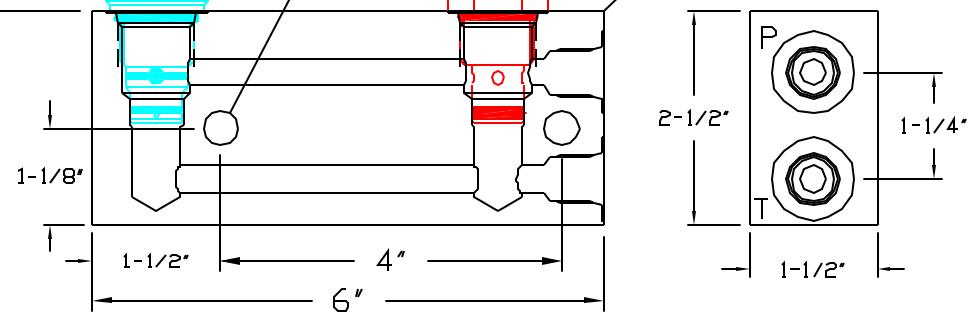
Housing Pressure Rating:
 Aluminum 3,000 PSI
 Stainless 5,000 PSI

Order Information:

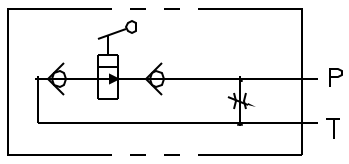
P and T Ports	Housing Order No.
1/4 NPT	S2283-2
3/8 NPT	S2283-3
SAE4 (O-Ring)	S2283-4
SAE6 (O-Ring)	S2283-6

Order Numbers are for Aluminum
 Add -S for Stainless steel housing.

Order housing, pump, pump handle, and needle valves separately



SCHEMATIC



P indicates pressure outlet from pump
 T indicates connection to tank or reservoir

ILLUSTRATION:
 Housing S2283-#
 Cartridge Pump
 Pump Handle
 Needle Valve