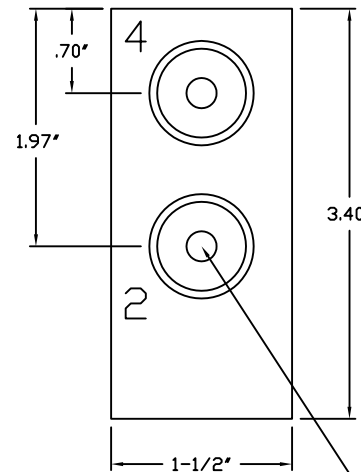
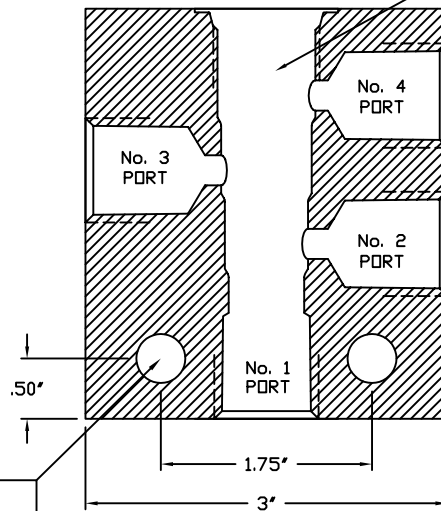
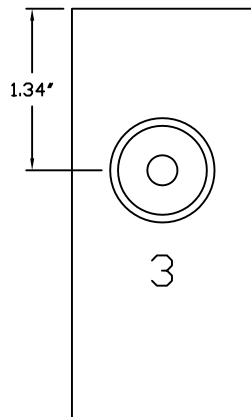


Identification  
Front & Back

Valve Cavity  
Doering C-8544  
Industry 10-4



Ø13/32 ( 2 PL. )  
Clearance for 3/8" or M10  
Mounting Holes

Ø1/4" Diameter  
Restriction at Ports 2, 3 & 4

**ORDER INFORMATION:**

S8544W-

Ports 1, 2, 3 & 4

- 1 (1/8 NPT)
- 2 (1/4 NPT)
- 3 (3/8 NPT)
- 4 (SAE4, DRB)
- 5 (1/2 NPT)
- 6 (SAE6, DRB)
- 8 (SAE8, DRB)

Material Option, Pressure Rating

Blank	(6061 Aluminum)	3,000 PSIG
S	(304 Stainless)	5,000 PSIG
S316	(316 Stainless)	5,000 PSIG

Caution: Pressure Rating of Cartridge Valve may be less than Pressure Rating of the Housing.

Doering Line Mount Housing for Cartridge Valve, Wide Body Style.

Also see Spec. Sheet No. 1200675 for smaller Line Mount body style.

Also see Spec. Sheet No. 1202984 for Panel Mount Housing.