

ORDER INFORMATION:

S3038 -

Ports 1 & 2

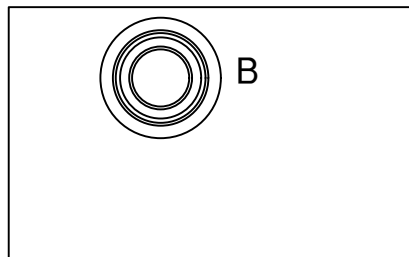
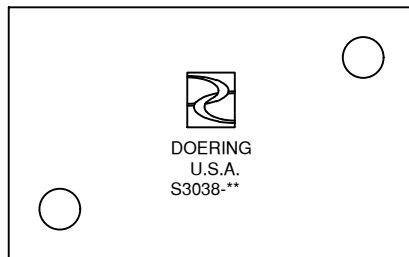
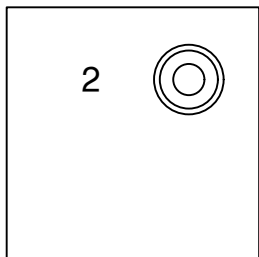
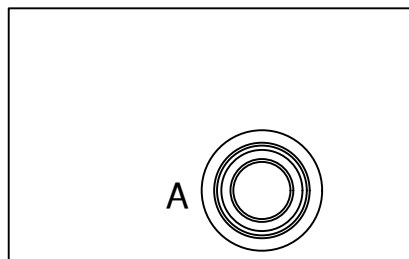
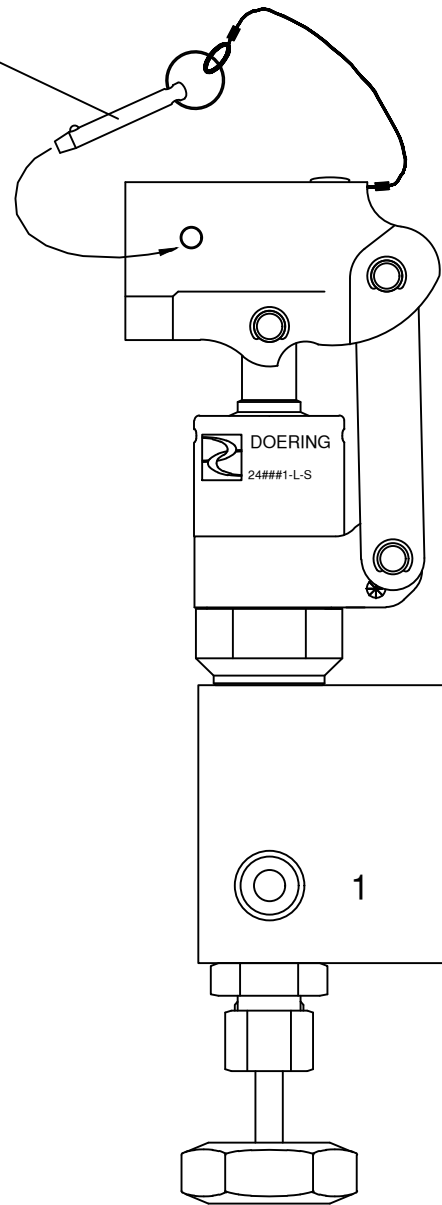
- 1 (1/8 NPT)
- 2 (1/4 NPT)
- 3 (3/8 NPT)
- 4 (SAE4, ORB)
- 6 (SAE6, ORB)

Material Option, Pressure Rating

Pressure Note: Double pressure rating for Port 1 only.

Blank	(6061 Aluminum)	3,000 PSIG
S	(304 Stainless)	5,000 PSIG
S316	(316 Stainless)	5,000 PSIG

Pump Illustrated with
'L' Option
(Pin with Lanyard)



Example of Complete Assembly.

Doering Pump installed in Cavity A.

Doering Needle Valve installed in Cavity B.

Order Doering Pump and Needle Valve separately.