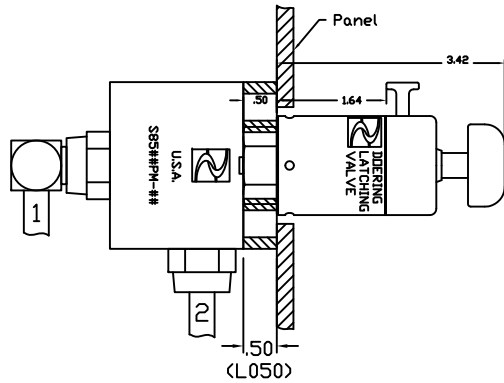
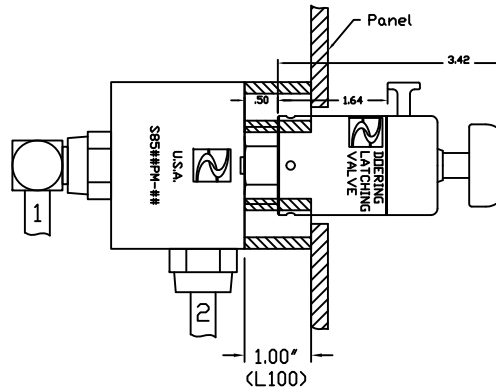


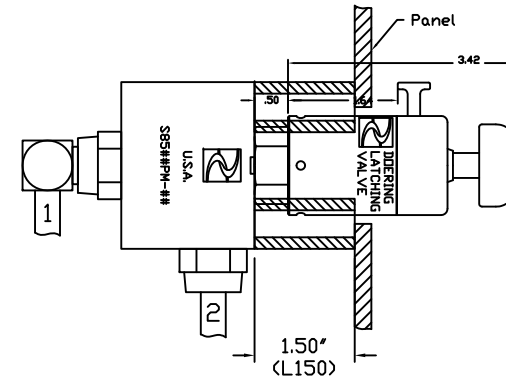
Examples of Doering Panel Mount Housing, Latching Valve and Stand Offs.
See additional Spec. Sheets for information on Housings and Valves.



Example using:
S85#2PM-## Housing, Panel Mount
SO-375-750-050-#### 1/2" Stand Off
Doering Latching Valve

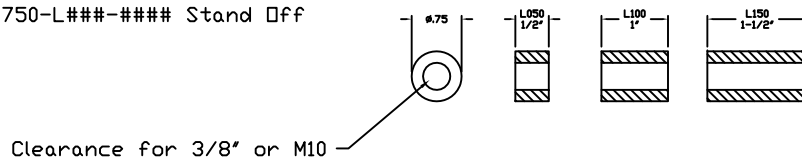


Example using:
S85#2PM-## Housing, Panel Mount
SO-375-750-100-#### 1" Stand Off
Doering Latching Valve



Example using:
S85#2PM-## Housing, Panel Mount
SO-375-750-150-#### 1-1/2" Stand Off
Doering Latching Valve

SO-375-750-L###-#### Stand Off



Order Panel Mount Housing and Valve separately.
Stand Off Order Info., 4 Used Per Housing

SO-375-750-L###-#### Doering Stand Off

L### (Length)	#### (Material)
L050 = .50" 12.7mm	A = Aluminum
L100 = 1.00" 25.4mm	S = Stainless
L150 = 1.50" 38.1mm	S316 = 316 SST.

Application:

Application of SO-375-750-L###-####
Optional use of Stand Offs
with Doering Panel Mount Housings
provides improved access to the
valve wrench area and desired
protrusion of the valve from
the panel surface.

For service access, one or two spacers
may temporarily be removed.
Use all 4 Spacers for normal operation.

Doering SO- Series
Stand Off Spacers

6343 RIVER ROAD SE ■ CLEAR LAKE, MN 55319 USA
Telephone: 320-743-2276 ■ Fax: 320-743-3723
mailto:doering.com ■ www.doering.com

