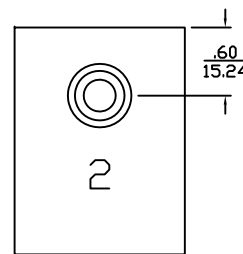
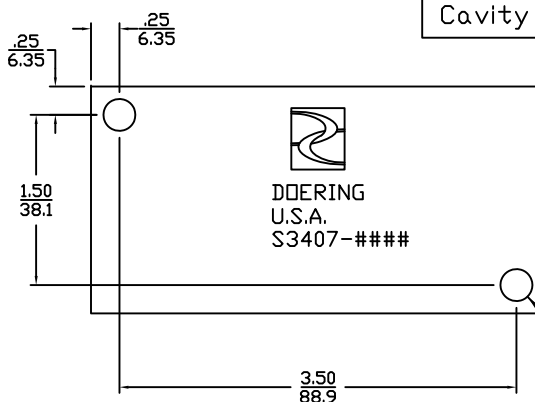
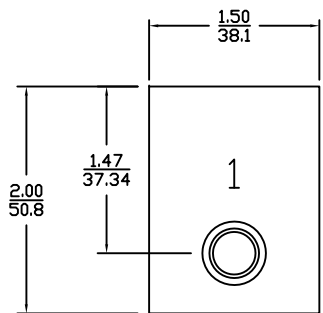


Valve Cavities (A & B)  
 Doering C-8502  
 Industry 8-2  
 Cavity Specs. 1200630

INCH  
 METRIC



Mounting Holes (2 Pl.)  
 9/32" Diameter,  
 Clearance for 1/4" or M6

Order Information:

Order Cartridge Valves Separately (Two Valves Required)

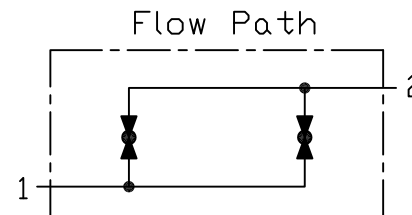
Multi Station Housing: S3407-####

Ports 1 and 2

- 2 (1/4 NPT)
- 3 (3/8 NPT)
- 4 (SAE4, ORB)
- G4 (G 1/4-19 BSPP)
- 6 (SAE6, ORB)
- G6 (G 3/8-19 BSPP)

Material Option, Pressure Rating

- Pressure Note: Double pressure rating for Port 1 only.
- Blank (6061 Aluminum) 3,000 PSIG
  - S (304 Stainless) 5,000 PSIG
  - S316 (316 Stainless) 5,000 PSIG



DOERING