

DESCRIPTION

A 2-Way, normally open, manually operated, push knob to close, spring-return, screw-in, directional hydraulic cartridge valve, poppet design.

FEATURES

Actuator area is isolated from system ports through a 10 Micron sintered filter. (P) Seat Saver: Pre-Loads Poppet and protect the seat from OverTravel.

OPERATION

Be sure to review the SHIFT FORCE NOTES. The operator force required to hold the valve closed can be high, depending on the pressures at Port No. 1 and Port No. 2. For ease of operation, use the No. 1 Port for the lower pressure in your system.

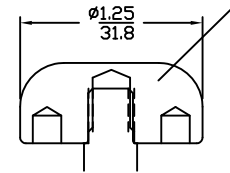
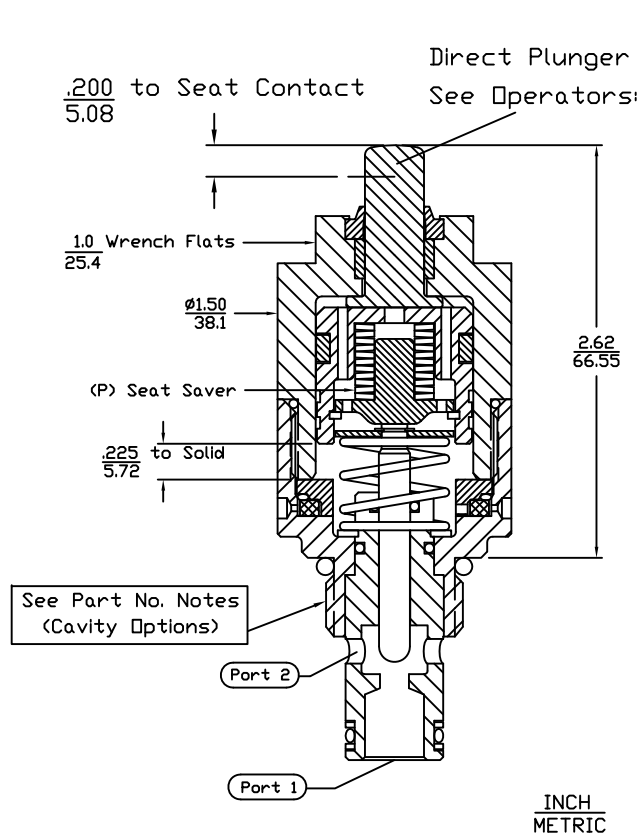
SHIFT FORCE NOTES:

Due to the Poppet Return Spring, 10 to 15 Pounds of Force is required to shift the valve poppet with zero pressure on ports 1 and 2. Any pressure on Port No. 1 will increase the Force Requirement by .030 X PSI. Any pressure on Port No. 2 will increase the Force Requirement by .003 X PSI.

RATINGS:

Working Pressure:
 Cavity C-8502, 5,000 PSI,
 Cavity C-8542, 5,000 PSI Port 1
 Cavity C-8542, 3,000 PSI Port 2
 Fluid temperature:
 -45°F, (42.7°C) to 200°F, (93.3°C)

CARTRIDGE VALVE



Knob Operators
See Operators:

Cavity & Housing

For 82527MP#0 Valve:

Cavity Drawing:
1200630 Spec. Sheet

Line Mount Housings:
1200672 Spec. sheet

Panel Mount Housings:
1202981 and 1203290
Spec. Sheets

Cavity & Housing

For 84527MP#0 Valve:
Cavity Drawing:
1200621 Spec. Sheet

Line Mount Housings:
1200674 and 1201455
Spec. Sheets

Panel Mount Housings:
1202982 and 1203290
Spec. Sheets

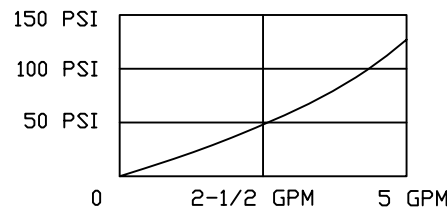
Valve Number: **8#527MP#0**

2 = 3/4-16 Thread
Cavity C-8502
(8-2)
4 = 7/8-14 Thread
Cavity C-8542
(10-2)

Operators:
D = Direct Plunger
K = Knob, Aluminum
R = Knob, Red Anodized
S = Knob, Stainless

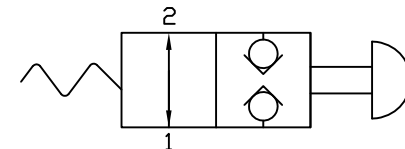
PRESSURE DROP CHART

Valve Orifice Diameter .18", C_v = 0.5



2PB SERIES

Functional Symbol



2PB N/O

2 Way Poppet Valve, Manually Operated



DOERING