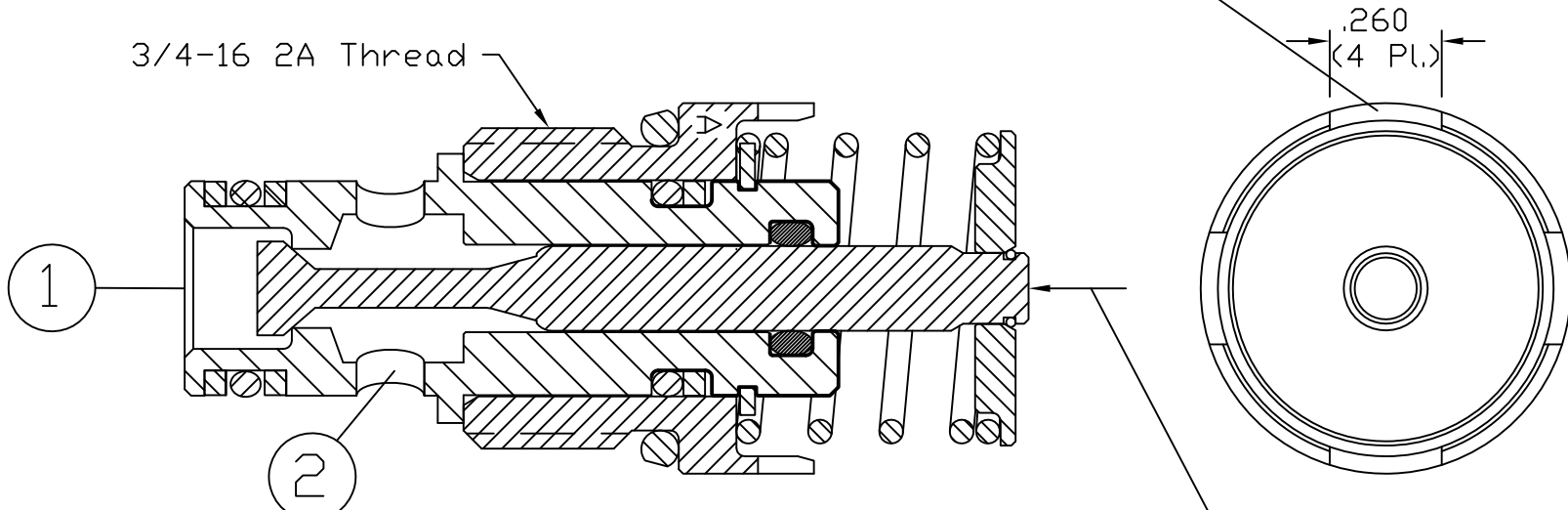


Spanner Notches
 For Valve Installation/Removal
 DIVT-3416 Spanner Tool required.



Travel Notes:
 .070" Minimum to full flow
 .115" Recommended travel.
 .160" To Solid. Will Damage Valve.

Stainless Steel Construction
 Continuous Working Pressure 5,000 PSIG
 Proof Pressure 7,500 PSIG
 Fits Modified C-8502 (8-2) Valve Cavity

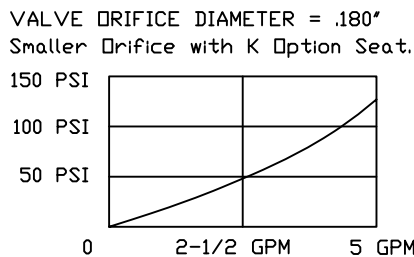
Doering Insert Valve,

Order: DIV-#-3416-#

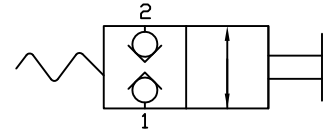
H = Hard Seat
 K = Kel-F Soft Seat with
 Hard Seat backup. Ref. Key 4
 Reduces Flow $C_v = 0.3$ Prox.

Back UP Rings Teflon/GF
 Seal Materials
 N = Buna-N
 V = Viton
 K75 = Kalrez 7075
 R = EPR/EPDM

PRESSURE DROP CHART $C_v = 0.4$
 Hard Seat Only.



Functional Symbol



2 Way, Poppet,
 Bidirectional,
 Manually Operated