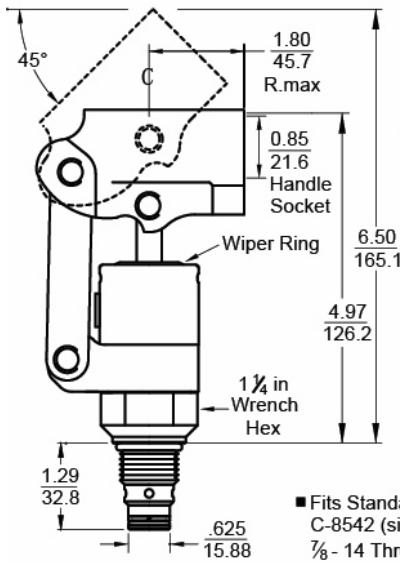


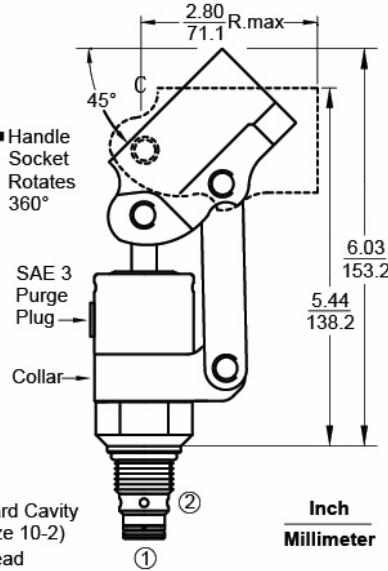
Hydraulic Cartridge Style Hand Pumps

10 K | 222-S Series

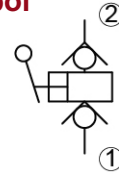
Push Style



Pull Style



Functional Symbol



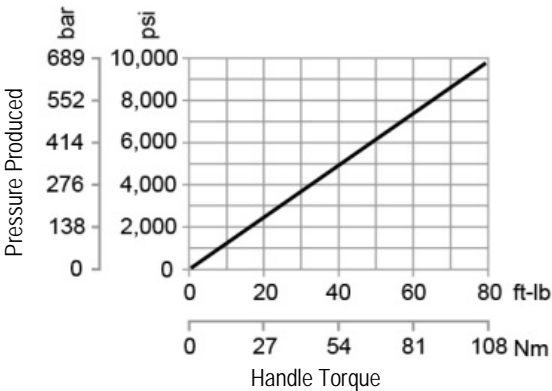
Technical

Operating Pressure	10,000 psi [689 bar]
Proof Pressure	15,000 psi [1,034 bar]
Produced Pressure (80 ft.-lb. handle torque)	10,000 psi [689 bar]
Displacement (Flow per stroke cycle)	0.100 cu. in. [1.6 cc]
Temperature	-40° to 248°F [-40 to 120°C]
Weight	1.8 lbs. [0.82 kg]
Installation Position	No Restrictions
Cavity	C-8542 [size 10-2]
Cavity Form Tooling	FT-8542

Performance and Operation

Maximum Operating Pressure 10,000 psi [689 bar]
 Maximum Handle Torque 80 ft. lbs. [108.5 N-m]

Pressure Produced | Handle Torque



Guided Check System

Our guided check system is a special style check for applications demanding exceptional low leak hold. Bubble tested for 0 leaks. Flow direction from ports 2 to 1.

Installation Note

Lubricate seals and install into cavity with a 1-1/4 in. wrench. Torque to approximately 50 ft. lbs. [68 N-m].

Order Info

Part No. 22237

Linkage Style

- 1 = Push to Pressurize
- 2 = Pull to Pressurize

Handle Joining Option

- (Blank) = No Joining Option
- L = Lanyard and Pin
- P = Pin with E-clips

Seals

- (Blank) = Buna N O-rings
- E = Teflon® O-rings
- R = EPR/EPDM O-rings
- V = Viton® O-rings

Note: All pump back-up rings are Teflon. Wiper ring is polyurethane.

Materials

- S = Stainless Steel with Electroless Nickel Plated Carbon Steel – Socket and Collar
- SS = All Components Are Stainless Steel