

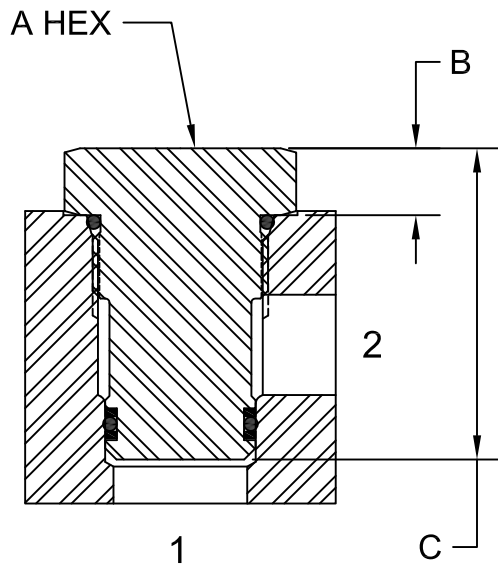
## Cavity Plug

### DESCRIPTION:

Cavity Plugs block or allow the passage of fluid in various cavities.

### FEATURES:

Standard material for bodies is 316 SS.  
 Optional body materials are available.  
 Standard material for O-Rings is Nitrile.  
 Optional seal materials are available.  
 Standard material for Backup Rings is Teflon.



### OPERATION:

Fluid may be either Hydraulic or Pneumatic.

### TECHNICAL:

Maximum Pressure:	5,000 PSI (34,474 kPa)(345 Bar)	
Temperature Range: Based on Manufactures Recommendations	Nitrile (NBR, Buna N):	-40°F to 210°F (-40°C to 99°C)
	Ethylene Propylene (EPR, EPM, EPDM):	-70°F to 250°F (-57°F to 121°F)
	Flouorocarbon (FKM, Florel, Viton):	-15°F to 400°F (-26°F to 204°F)

### ORDER INFO:

DCPXX-2-XX-XX

Cavity Size, Dimensions in (mm)

04  
 06  
 08  
 10 A=1.0 (25), B=0.32 (8.1), C=1.61 (40.9)  
 12  
 16

Number of Ports:

Flow Configuration:

1 =

2 =

O-RINGS:  
 N = Nitrile (NBR, Buna N)  
 E = Ethylene Propylene (EPR, EPM, EPDM)  
 V = Flouorocarbon (FKM, Florel, Viton)

MATERIAL:

Installation Torque	Cavity Size
13-15 Lb-Ft ( 18-20 N-M)	04
23-24 Lb-Ft ( 32-33 N-M)	06
40-43 Lb-Ft ( 55-57 N-M)	08
43-48 Lb-Ft ( 59-64 N-M)	10
68-75 Lb-Ft ( 93-101 N-M)	12
112-123 Lb-Ft ( 152-166 N-M)	16