

Cavity Plug

DESCRIPTION:

Cavity Plugs block or allow the passage of fluid in various cavities.

FEATURES:

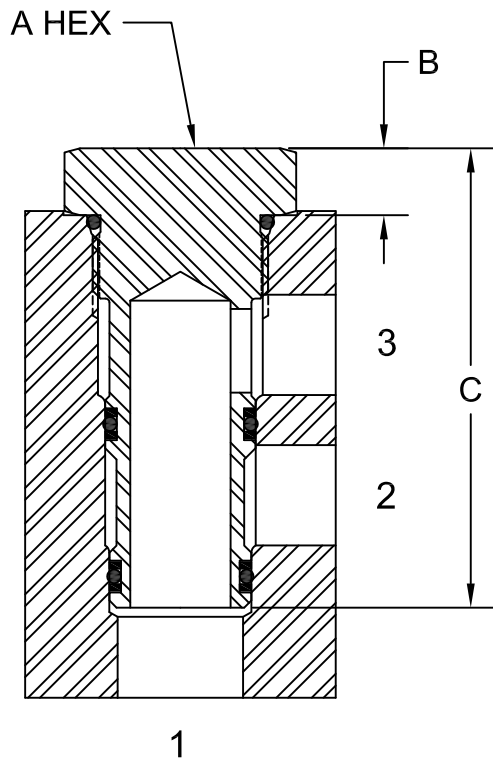
Standard material for bodies is 316 SS.
 Optional body materials are available.
 Standard material for O-Rings is Nitrile.
 Optional seal materials are available.
 Standard material for Backup Rings is Teflon.

OPERATION:

Fluid may be either Hydraulic or Pneumatic.

TECHNICAL:

Maximum Pressure:	5,000 PSI (34,474 kPa)(345 Bar)	
Temperature Range: Based on Manufactures Recommendations	Nitrile (NBR, Buna N):	-40°F to 210°F (-40°C to 99°C)
	Ethylene Propylene (EPR, EPM, EPDM):	-70°F to 250°F (-57°F to 121°F)
	Fluorocarbon (FKM, Florel, Viton):	-15°F to 400°F (-26°F to 204°F)



ORDER INFO:

DCPXX-3-XX

Cavity Size, Dimensions in (mm)

04
06
08
10 A=1.0 (25), B=0.32 (8.1), C=1.61 (40.9)
12
16

Number of Ports:

Flow Configuration:

1 = 3 =

2 = 4 =

O-RINGS:
 N = NITRILE (NBR, Buna N)
 E = Ethylene Propylene (EPR, EPM, EPDM)
 V = FLOUROCARBON (FKM, Florel, Viton)

MATERIAL:

Installation Torque	Cavity Size
13-15 Lb-Ft (18-20 N-M)	04
23-24 Lb-Ft (32-33 N-M)	06
40-43 Lb-Ft (55-57 N-M)	08
43-48 Lb-Ft (59-64 N-M)	10
68-75 Lb-Ft (93-101 N-M)	12
112-123 Lb-Ft (152-166 N-M)	16