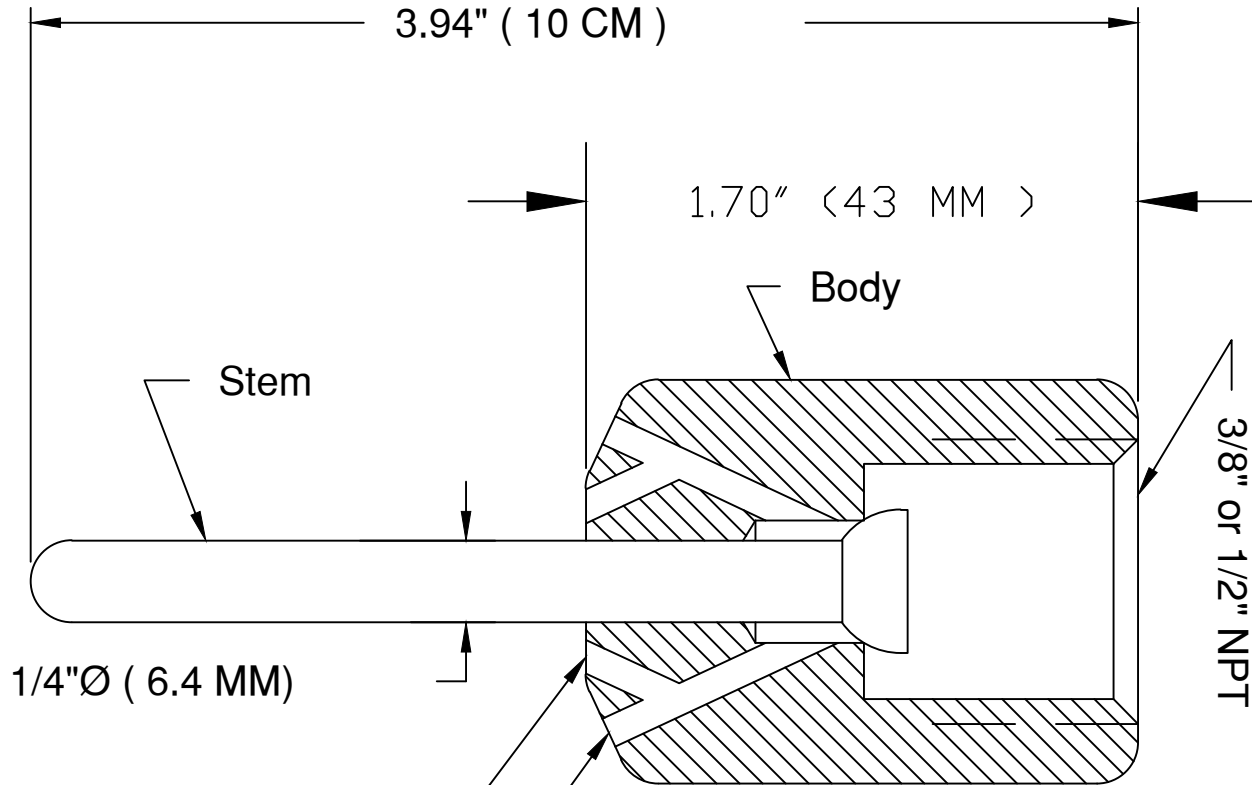
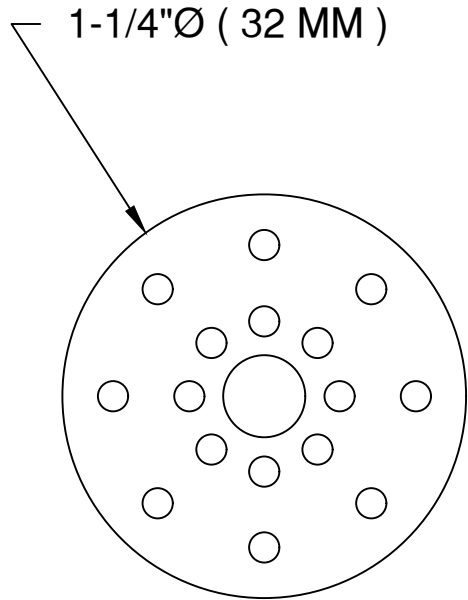


Materials of construction:

Stem is Stainless Steel  
Body is Delrin or Equiv.



8 Holes 3/32" ( 2.4 MM ) Ø  
Water Spray Holes.

8 Holes 3/32" ( 2.4 MM ) Ø  
Water Spray Holes.  
Stem Cleaning

Doering Water Miser  
Order Information:  
DWM-38SC 3/8" NPT  
DWM-50SC 1/2" NPT

6343 RIVER ROAD SE ■ CLEAR LAKE, MN 55319 USA  
Telephone: 320-743-2276 ■ Fax: 320-743-3723  
mailto:mailbox@doering.com ■ www.doering.com

