

6343 RIVER ROAD SE ■ CLEAR LAKE, MN 55319 USA
 Telephone: 320-743-2276 ■ Fax: 320-743-3723
 mailbox@doering.com ■ www.doering.com



DOERING

'P' Port
 Pressure Inlet Port, 1/8 NPT
 300 PSI (20 bar) Maximum
 Controls Air or Gas.
 Verify material compatibility.

Stainless Steel Fasteners
 3 Used in Assembly:
 P/N 1200984 Bolts, 10-24 X 1-1/2"
 (5/32" Socket Hex)
 P/N 1200985 Lock Washers, 10-24

Ø1-1/2" (38.1) Body, Aluminum
 Optional: 303 or 316 SST.

Poppet Style Insert Valve.

O-Ring Seal

Sleeve for Insert Valve

Modify Valve Number for PSI.
 Valve Shift (crack) Pressure:

11****## (##=20, 21, 30 or 31)
0050 = 50 PSI Spring
0075 = 75 PSI Spring
0300 = 300 PSI Spring
0350 = 300 PSI Spring
2000 = 2000 PSI Spring

Additional crack pressures available From 400 to 1,900 PSI.

Note: Spring chamber vents through E port.

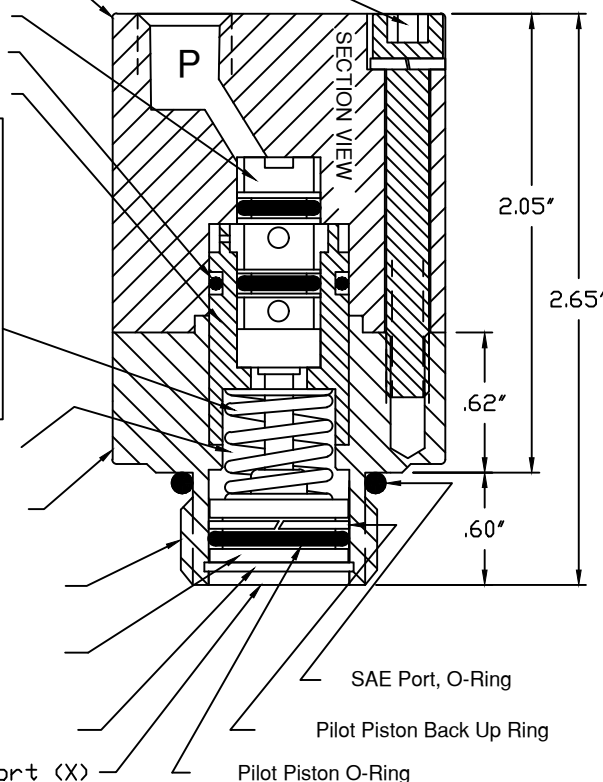
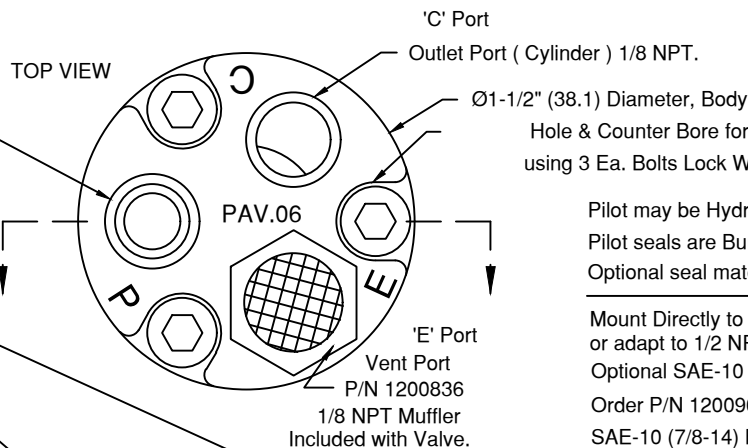
1-1/4" (31.75) Hexagon Mount, SST.
 Wrench For Installation @ 20 Foot-Pounds.

Fits ORB Port, SAE-10 (7/8-14 THD.)

Pilot Piston, Stainless Steel
 5000 PSI (350 bar) Limit.

Retaining Ring for Pilot Piston, SST.

Pilot Port (X)

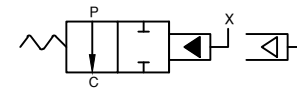


'C' Port
 Outlet Port (Cylinder) 1/8 NPT.
 Ø1-1/2" (38.1) Diameter, Body
 Hole & Counter Bore for Assembly
 using 3 Ea. Bolts Lock Washers.

Pilot may be Hydraulic or Pneumatic.
 Pilot seals are Buna-N and Teflon.
 Optional seal materials are available.

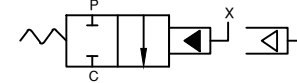
Mount Directly to SAE-10 ORB Port
 or adapt to 1/2 NPT.
 Optional SAE-10 to 1/2 NPT Adapter:
 Order P/N 1200967 (carbon steel) or 1200967-S316
 SAE-10 (7/8-14) Female to 1/2-14 NPT Male

Order No. 11****20 2W, N/O, Pilot Valve.



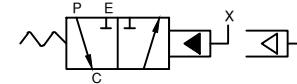
2 Way, Normally Open, Pilot to Close.

Order No. 11****21 2W, N/C, Pilot Valve.



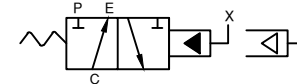
2 Way, Normally Closed, Pilot to Open.

Order No. 11****30 3W, N/O, Pilot Valve.



3 Way, Normally Open, Pilot to Close.

Order No. 11****31 3W, N/C, Pilot Valve.



3 Way, Normally Closed, Pilot to Open.

PAV.06 SERIES

Piloted Air Valve, .06 CV
 3.0 scfm @ 50 psig, 6.0 scfm @ 100 psig
 Pilot Operated by Hydraulic or Air.