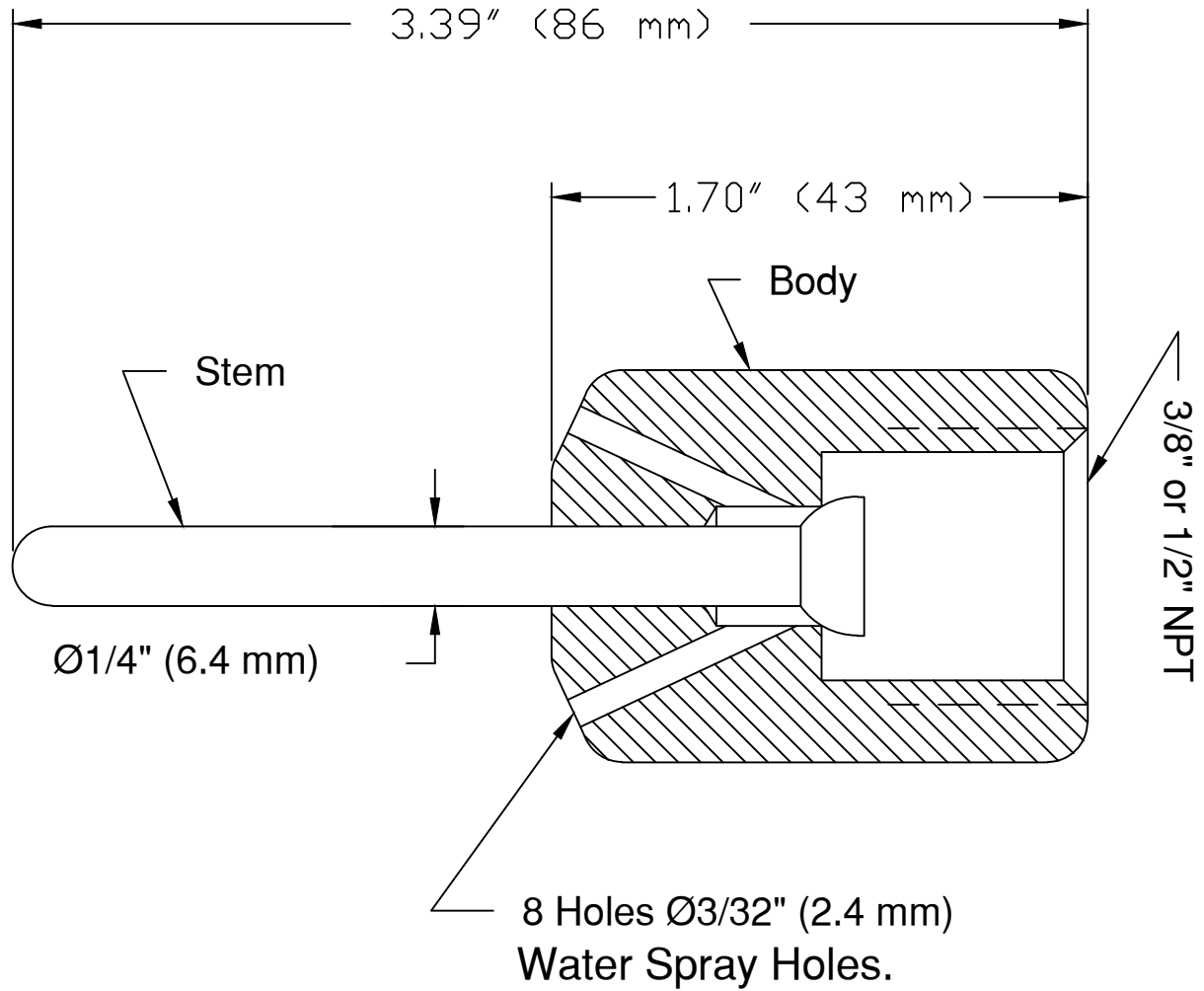
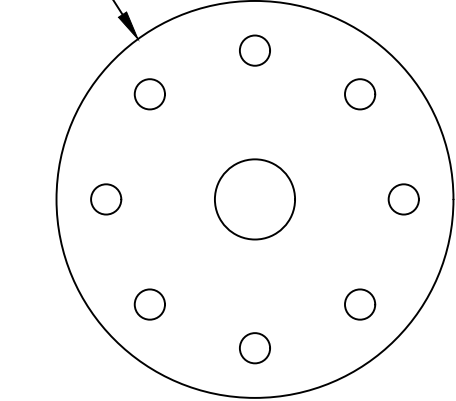


Materials of construction:

Stem is Stainless Steel
Body is Delrin or Equiv.

Ø1-1/4" (32 mm)



Doering Water Miser
Order Information:

DWM-38 3/8" NPT

DWM-50 1/2" NPT

6343 RIVER ROAD SE ■ CLEAR LAKE, MN 55319 USA
Telephone: 320-743-2276 ■ Fax: 320-743-3723
mailto:mailbox@doering.com ■ www.doering.com

