

SPECIFICATIONS:

Manually Operated poppet valve.
 Two way, normally closed, push operator to open.
 Maximum pressure 5,000 PSI Port 1, 3,000 PSI Port 2
 Use Port no. 1 for pressure inlet.
 See "SHIFT FORCE NOTES" regarding operating force required to open valve.
 1/4" Stroke is approximate.
 Overtravel protection feature is available.
 Use 1" wrench to install valve.
 Torque to 20 foot pounds.
 Use lubricant on external oil seals and mounting threads.
 Fluid temperature -45°F (-42.7°C) to 200°F (93.3°C)

STANDARD OPTIONS

Handknob operator shown. Other operators available are Cam Operators and Overtravel Protection. Handknob is Aluminum standard or Stainless optional.
 T Option 10-32 vent ports at Key 7 (2 Places)
 Seat (Key 4) is hard stainless. Optional soft seat is available. Add letter K after H in part no. to order Kel-F 81 soft seat.
 Seal Materials used are Buna-N and Teflon.
 Optional seal and construction materials available.

SHIFT FORCE NOTES:

To determine operator Force in POUNDS to shift valve, multiply pressure at Port No. 1 pressure X .062
 Add the result to 15 pounds required to compress spring.

Example: 1,000 PSI System
 1,000 X .062 = 62#
 62 + 15 = 77#
 Total Operator Force = 77#

CARTRIDGE VALVE

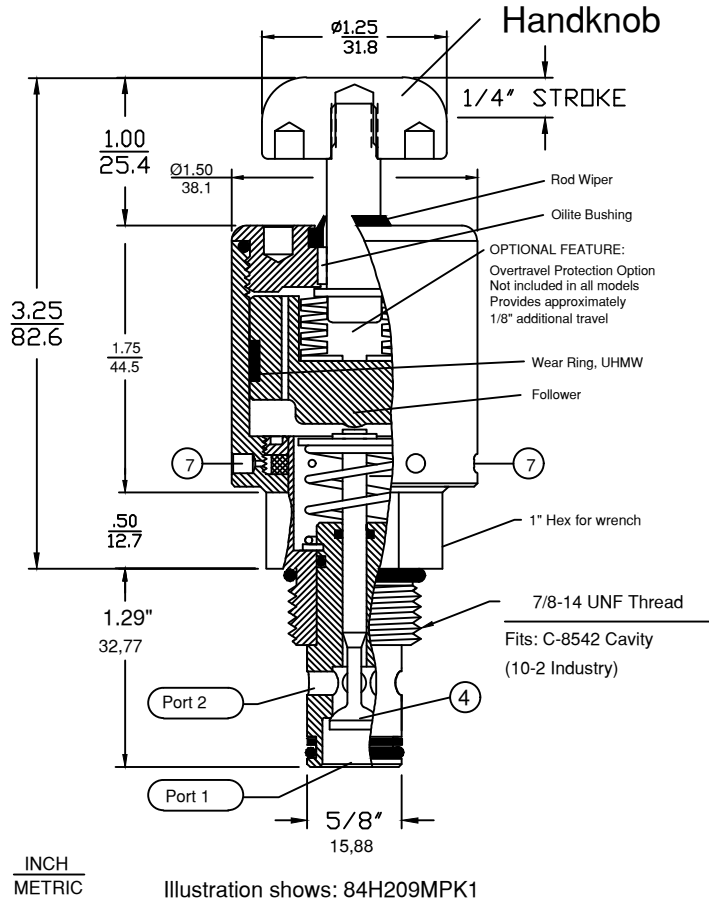
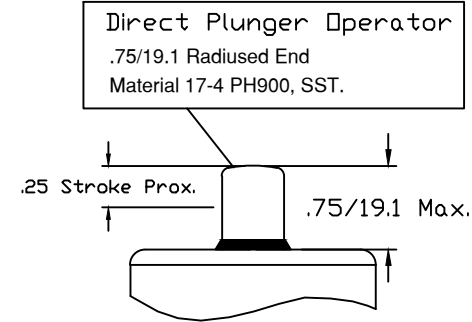


Illustration shows: 84H209MPK1



Cavity & Housing

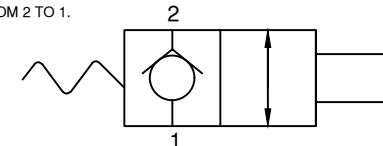
Cavity Drawing C-8542 (10-2):
 1200621 Spec. Sheet

Line Mount Housings:
 1200674 and 1201455
 Spec. Sheets

Panel Mount Housings:
 1202982 and 1202990
 Spec. Sheets

2PB SERIES

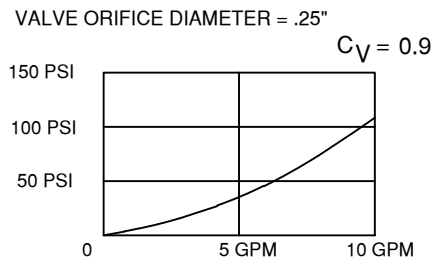
IN CLOSED POSITION, VALVE DOES NOT FREE FLOW FROM 2 TO 1.



2PB N/C

2 Way Poppet Valve, Manually Operated

PRESSURE DROP CHART



Valve Number: **84H209M##1**

O = No Overtravel Protection
 P = Overtravel Protection

Operators:
 D = Direct Plunger
 K = Knob, Aluminum
 R = Knob, Red Ano.
 S = Knob, Stainless

6343 RIVER ROAD SE ■ CLEAR LAKE, MN 55319 USA
 Telephone: 320-743-2276 ■ Fax: 320-743-3723
 mailbox@doering.com ■ www.doering.com



DOERING