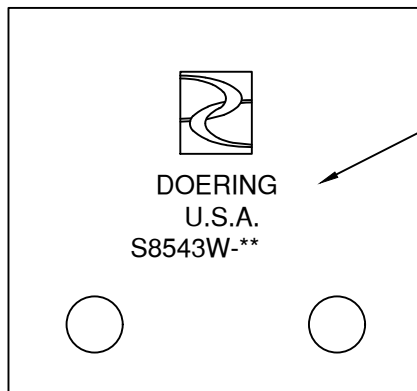
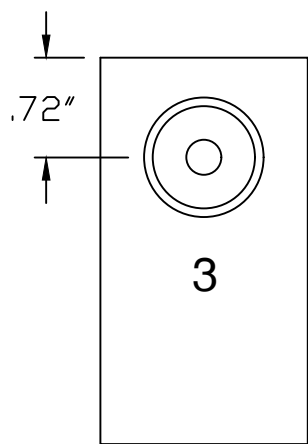


6343 RIVER ROAD SE ■ CLEAR LAKE, MN 55319 USA
 Telephone: 320-743-2276 ■ Fax: 320-743-3723
 mailbox@doering.com ■ www.doering.com

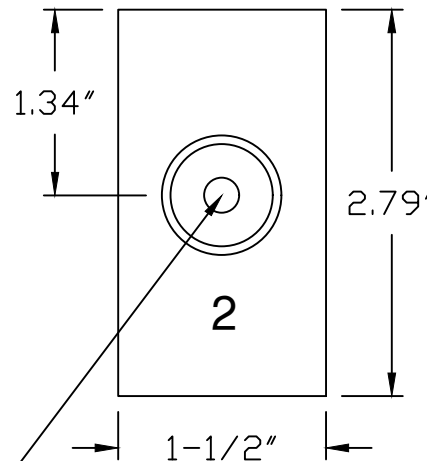
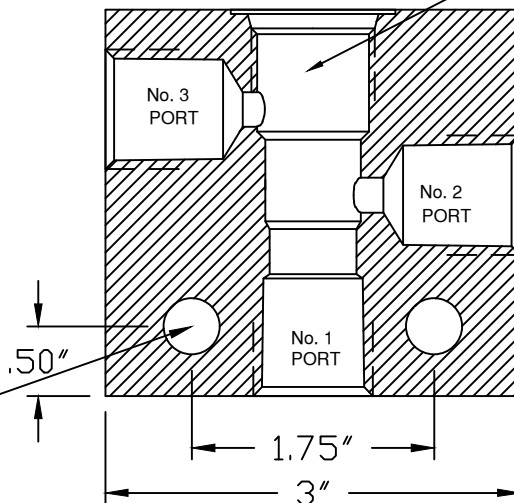


Identification
Front & Back

Valve Cavity
Doering C-8543
industry 10-3



Mounting Holes (2 Pl.)
13/32" Diameter,
Clearance for 3/8" or M10



Ø1/4" Diameter
Restriction at Ports 2 & 3

ORDER INFORMATION:

S8543W-

Ports 1, 2 & 3

- 1 (1/8 NPT)
- 2 (1/4 NPT)
- 3 (3/8 NPT)
- 4 (SAE4, ORB)
- 5 (1/2 NPT)
- 6 (SAE6, ORB)
- 8 (SAE8, ORB)

Material Option, Pressure Rating

Blank	(6061 Aluminum)	3,000 PSIG
S	(304 Stainless)	5,000 PSIG
S316	(316 Stainless)	5,000 PSIG

Caution: Pressure Rating of Cartridge Valve may be less than Pressure Rating of the Housing.

Doering Line Mount Housing for Cartridge Valve, Wide Body Style.

Also see Spec. Sheet No. 1200673 for smaller Line Mount body style.

Also see Spec. Sheet No. 1202983 for Panel Mount Housing.

