

6343 RIVER ROAD SE ■ CLEAR LAKE, MN 55319 USA  
 Telephone: 320-743-2276 ■ Fax: 320-743-3723  
 mailbox@doering.com ■ www.doering.com



DOERING

**KEY TABLE:**

KEY	DESCRIPTION
1	Body, Stainless Steel (SST)
2	Adjusting Cap, SST.
3	Lock Nut ( Jam Nut ), SST.
4	O-Ring, -012, Dust Seal Protects inside of valve.
5	Spring, Stainless Steel. (D Spring is a set of 2)
6	Spring Follower, SST.
7	Poppet, SST.
8	O-Ring, -006
9	Back Up Ring, -006, Teflon
10	Retainer, SST.
11	Optional Factory Thread Lock, LB or LR Loctite Blue (LB) or Loctite Red (LR)

**Features:**

- \* Stainless Steel Construction
- \* Adjustable Crack Pressure
- \* Low Hysteresis
- \* Bubble Tested for Zero Leakage
- \* Optional Factory Preset
- \* 100% Seal Leakage Tested

**Order Information:**

Adjustment Range PSI (Bar)

- Spring (B) 0500-1500 (34-103)
- Spring (C) 1500-3000 (103-207)
- Spring (D) 3000-4000 (207-276)

Select Mounting Thread: (1), (2), (4)

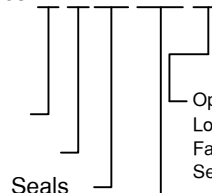
Select Spring Range (B), (C), (D)

Specify (NN) Buna-N, (RR) EPR/EPDM,  
(K75K) Kalrez 7075 or (VV) Viton.

Additional Seal Materials available on request.  
 First Letter Specifies Wetted seals Only  
 Second Letter Specifies Key 4 Dust Seal

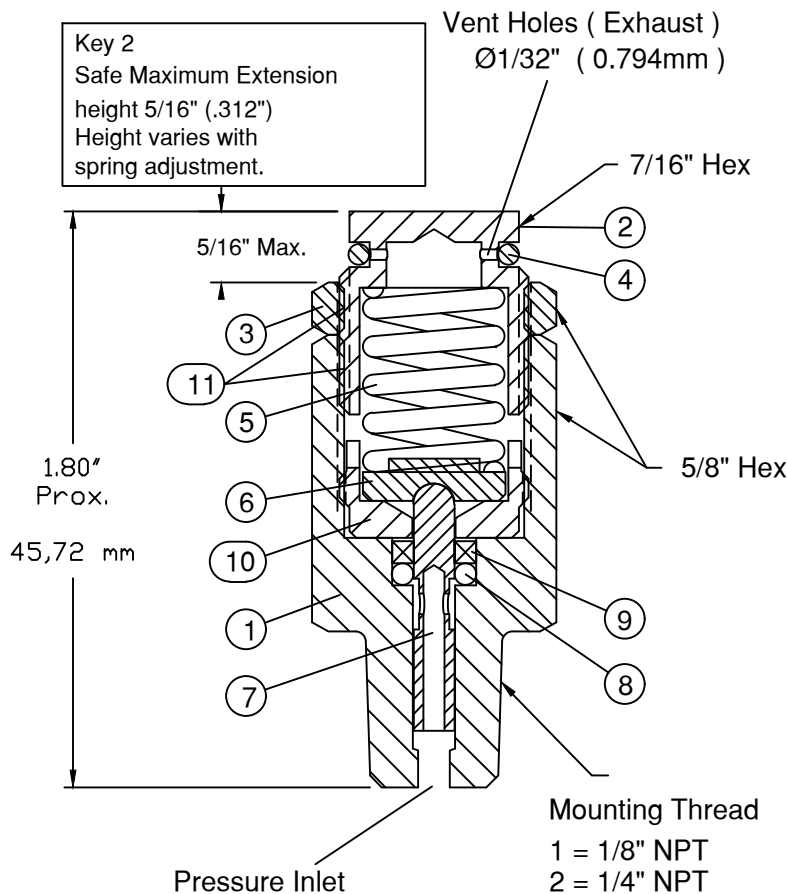
Doering Order No.

2009- \* - \* - \*\* - \*\*\*\* - \*\*



Optional: Add Letters LB or LR  
 Loctite Blue (LB), Loctite Red (LR)  
 Factory Applied Thread Lock. Key No. 11.  
 Secures Cap and Nut. Keys 2 and 3.

Optional: Specify Crack Pressure  
 in PSI for Factory Preset ±5%  
 This will be left blank if not  
 Factory Preset.  
 Reseal within 10% of Crack Pressure.



**RVS-18 Series**

**Relief Valve,  
 Safety Popoff**