

Description

A screw-in, poppet type, cartridge check valve. For use as a blocking or load-holding device.

Operation

The DCVF allows flow passage from port 1 to port 2, while blocking flow in the opposite direction.

Features and Key descriptions:

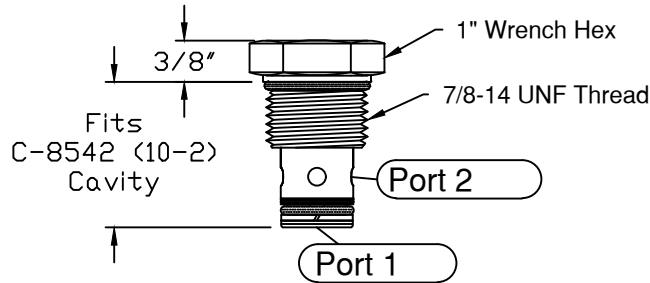
Fire Resistant Design, protects against catastrophic failure to 1200°F (649°C) for a limited time. Keys 11 and 12 provide metal back up seals. Designed for one time exposure to high temperatures.

Key:	Description:
1	Inlet Port
2	Outlet Port
3	Seat Poppet Seal Points (Hard plus optional Soft Seal)
4	Back Up Ring, 014 Teflon (PTFE)
5	Seal, (-014). See Order Information.
6	Seal, -10 SAE (-910). See Order Information.
7	Body Mount, SST., See Order Information.
8	Seat, 17-4 PH SST. Heat Treated
9	Poppet, 17-4 PH SST. Heat Treated
10	Poppet Bias Spring. See Order Information.
11	Metal Fire Seal (-014 SST.)
12	Metal Fire Seal, integral with Body Mount (Key 7)

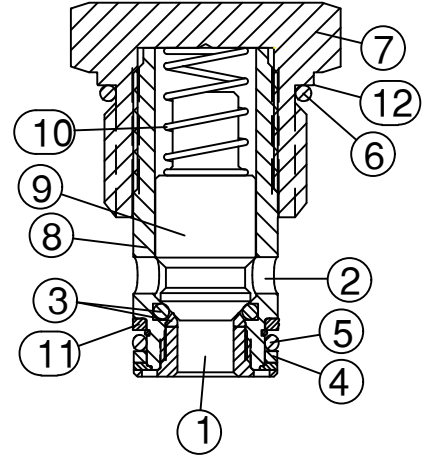
Optional Bias Spring (Key 10) to introduce back-pressure.

Installation and Ratings:

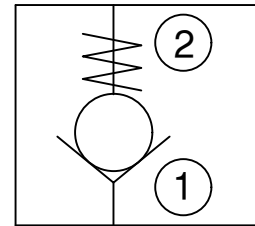
Operating Pressure: 5,000 PSI (345 bar)
 Proof Pressure: 7,500 PSI (518 bar)
 Temperature: -40 to 250°F (-40 to 120°C)
 Mediums: Gas or Liquid
 Installation: Torque - 25 ft-lbs



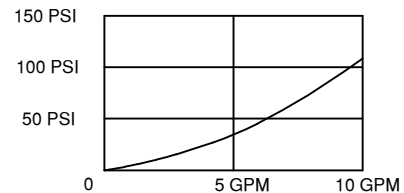
DCVF series



Functional Symbol:



FLOW AND PRESSURE DROP CHART. $C_v = 0.9$



Order: DCVF- -10- - -

Seat to Poppet Seal (Key 3)		Material, Body Mount (Key 7):	
Hard Seat, Hydraulic Test	H	Blank	303/304 SST.
Soft Seats, Bubble Tested		316	316 SST.
Buna-N (Nitrile NBR)	N	Poppet Bias Spring, Key 10, Crack Pressure	
EPR/EPDM	R	00	0 PSI (0.0 bar) No Spring
Viton (Fluorocarbon FKM)	V	03	3 PSI (0.2 bar) ±50%
Kel-F (PCTFE)	K	25	25 PSI (1.7 bar) ±20%
Kalrez 7075	K75	40	40 PSI (2.8 bar) ±20%
		70	70 PSI (4.8 bar) ±20%
Seals, External (Keys 5 & 6)			
Buna-N (Nitrile NBR)	N		
EPR/EPDM	R		
Viton (Fluorocarbon FKM)	V		
Teflon (PTFE)	E		
Kalrez 7075	K75		