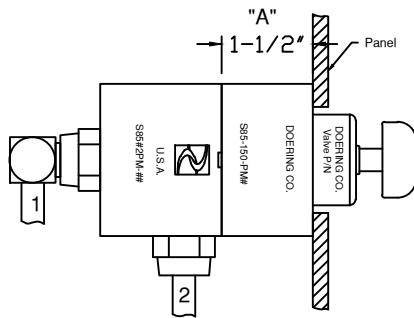
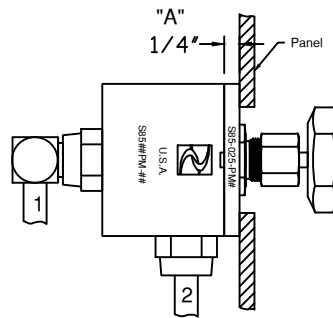


Example of Doering Panel Mount Housing, Spacer and Valve Assemblies.

See additional Spec. Sheets for information on Housings and Valves.



Example using:
 S85#2PM-## Housing, Panel Mount
 S85-150-PM# Spacer, Panel Mount, 1.50"
 Doering Manually Operated Valve

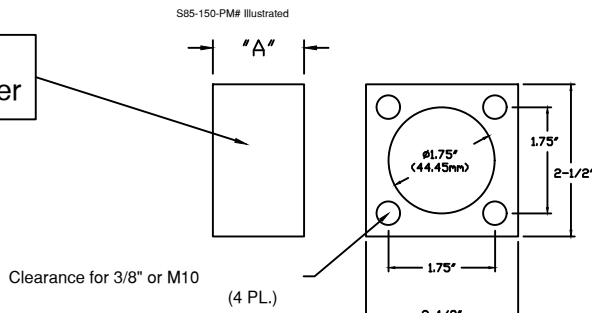


Example using:
 S85#2PM-## Housing, Panel Mount
 S85-025-PM# Spacer, Panel Mount, 0.25"
 Doering Needle Valve

6343 RIVER ROAD SE ■ CLEAR LAKE, MN 55319 USA
 Telephone: 320-743-2276 ■ Fax: 320-743-3723
 mailbox@doering.com ■ www.doering.com



S85-###-PM#
 Panel Mount Spacer



Application:
 Application of S85-###-PM#
 Panel Mount Spacers are
 used along with Panel Mount
 Housings to achieve desired
 protrusion of the valve operator.
 Use of Panel Mount Spacer
 is optional.

Order Information, Spacer Only!

S85-###-PM# Spacer, Panel Mount

Blank = Aluminum
 S = Stainless Steel

- 025 = .25" "A" Value
- 100 = 1.00" "A" Value
- 150 = 1.50" "A" Value

Doering SPM Series

Doering Panel Mount Spacer

The SPM Series, Doering Panel Mount Spacer is being phased out.

Please consider using our new Stand Off System, Ref. Spec. Sheet 1203290