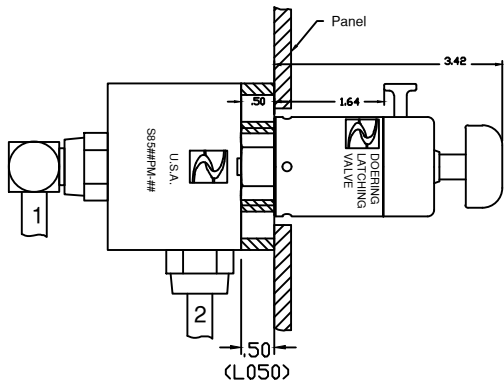
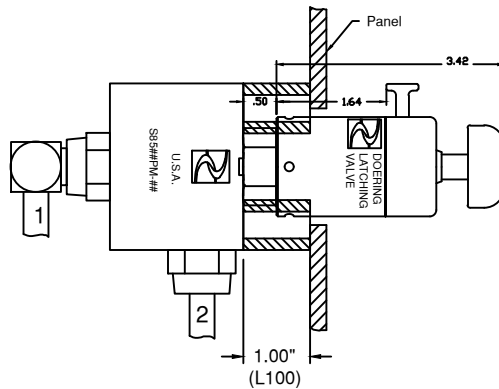


Examples of Doering Panel Mount Housing, Latching Valve and Stand Offs.

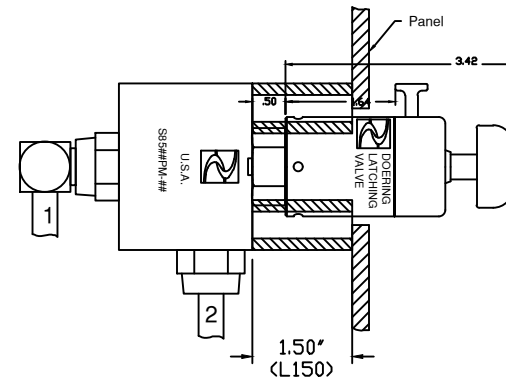
See additional Spec. Sheets for information on Housings and Valves.



Example using:  
S85#2PM-## Housing, Panel Mount  
SO-375-750-050-#### 1/2" Stand Off  
Doering Latching Valve



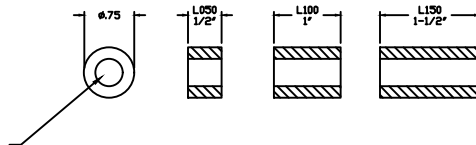
Example using:  
S85#2PM-## Housing, Panel Mount  
SO-375-750-100-#### 1" Stand Off  
Doering Latching Valve



Example using:  
S85#2PM-## Housing, Panel Mount  
SO-375-750-150-#### 1-1/2" Stand Off  
Doering Latching Valve

SO-375-750-L###-#### Stand Off

Clearance for 3/8" or M10



Order Panel Mount Housing and Valve separately.  
Stand Off Order Info., 4 Used Per Housing

SO-375-750-L###-#### Doering Stand Off

L### (Length)	### (Material)
L050 = .50" 12.7mm	A = Aluminum
L100 = 1.00" 25.4mm	S = Stainless
L150 = 1.50" 38.1mm	S316 = 316 SST.

Application:

Application of SO-375-750-L###-####  
Optional use of Stand Offs  
with Doering Panel Mount Housings  
provides improved access to the  
valve wrench area and desired  
protrusion of the valve from  
the panel surface.

For service access, one or two spacers  
may temporarily be removed.  
Use all 4 Spacers for normal operation.

Doering SO- Series

Stand Off Spacers

6343 RIVER ROAD SE CLEAR LAKE, MN 55319 USA  
Telephone: 320-743-2276 Fax: 320-743-3723  
mailto:mailbox@doering.com www.doering.com



DOERING