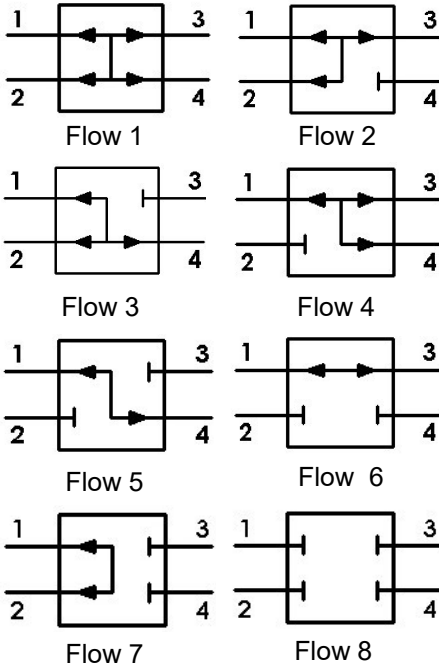


Hydraulic Cavity Plug, DCP-4

Functional Symbol:



Description:

Cavity Plugs block or allow the passage of fluids in various cavities in manifolds.

Operation:

Flow control for liquids or gas applications.

Features:

- Standard material for bodies is 316 stainless-steel .
- Standard material for O-rings is Nitrile.
- Optional seal materials are available.
- Standard material for Backup Rings is Teflon.
- Industry common cavities.

Ratings:

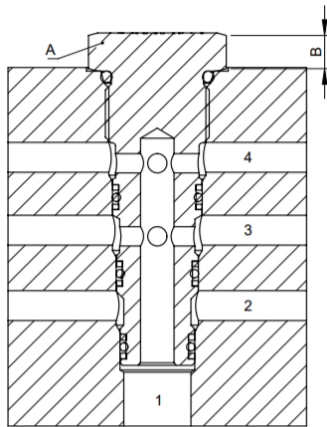
Operating Pressure: 5,000 PSI

Maximum Allowable Pressure at Port 2:

Operating Temperature: -40 to 100° C (-40 to 212° F) with Buna N seals; -26 to 204° C (-15 to 400° F) with Fluorocarbon seals; -57 to 121° C (70 to 250° F) with Ethylene Propylene seals.

Technical:

Cavity Size	A (Hex) In/(mm)	B	Pound-Foot	(Newton-Meter)
08	0.875/(22.23)	0.32/(8.13)	40-43	(55-57)
10	1.0/(25.4)	0.375/(9.5)	43-48	(59-64)
12	1.25/ (31.75)	0.5/(12.7)	68-75	(93-101)
16	1.5/(38.1)	0.5/(12.7)	112-123	(152-166)



Flow Configuration 4 shown

Ordering Information:

DCP XX - 4 - 2 - N S316

Model Number	Cavity Size	Flow Configuration	Seals, External
DCP Cavity Plug DCP-4	08 08-4 Cavity	1 All Ports Open	N Nitrile (NBR, Buna N)
	10 10-4 Cavity	2 Flow Ports 1,2 and 3	V Fluorocarbon (FKM, Florel, Viton)
	12 12-4 Cavity	3 Flow Ports 1,2 and 4	R Ethylene Propylene (EPR, EPM, EPDM)
	16 16-4 Cavity	4 Flow Ports 1,3 and 4	
		5 Flow Ports 1 to 4	
	6 Flow Ports 1 to 3		
	7 Flow Ports 1 to 2		
	8 All Ports Blocked		