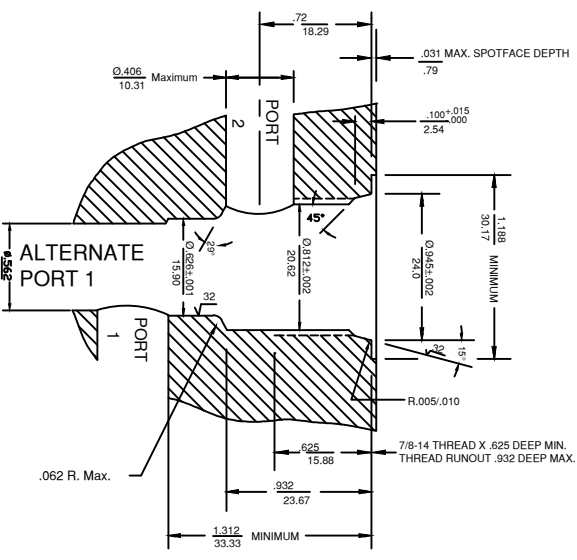


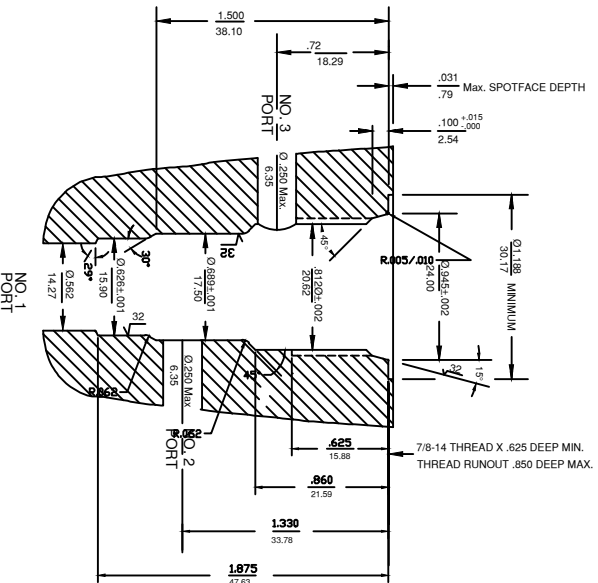
CAVITY C-8502 ( 8-2 )

USE FORM TOOL FT-8502  
 Unspecified tolerances are ±.005



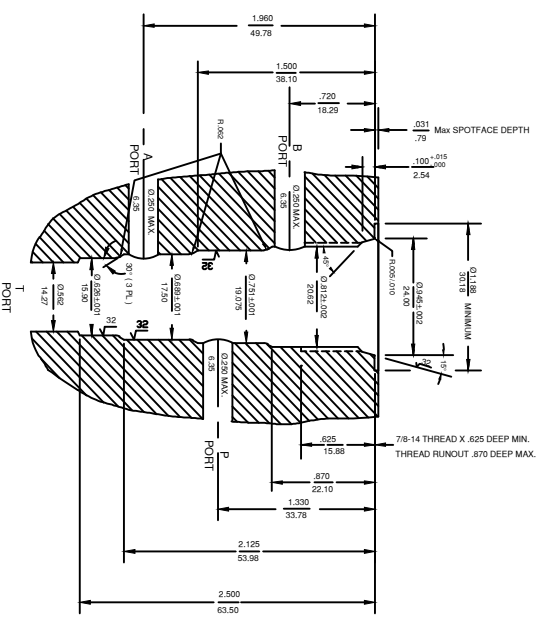
CAVITY C-8542 ( 10-2 )

USE FORM TOOL FT-8542  
 Unspecified tolerances are ±.005



CAVITY C-8543 ( 10-3 )

USE FORM TOOL FT-8543  
 Unspecified tolerances are ±.005



CAVITY C-8544 ( 10-4 )

USE FORM TOOL FT-8544  
 Unspecified tolerances are ±.005

Note: Individual Cavity drawings available upon request.

Please use latest revision CAVITY ILLUSTRATION.