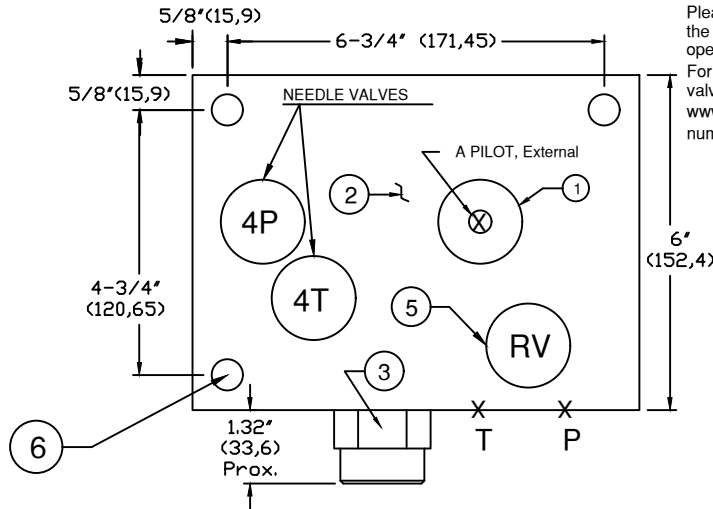


KEY NOTES:
 A Pilot Port is 1/8 NPT
 Ports B, P & T are SAE8 O-Ring

B - Service Port, 2800 PSI
 A - 75 to 150 PSI Air Pilot Pressure
 P - 3000 PSI Hydraulic Pressure
 T - Return to Tank

- Key 1 Doering Cartridge 54H2371081PS
- Key 2 Doering Manifold 1200902-8
- Key 3 PD16-41 HydraForce Cartridge Valve
- Key 4P *NV10-20 HydraForce Needle Valve
- * May substitute DNV-K-10-N-S125 Doering Needle Valve, SST.
- Key 4T *NV10-20 HydraForce Needle Valve
- * May substitute DNV-K-10-N-S125 Doering Needle Valve, SST.
- Key 5 RV08-20 HydraForce Relief Valve
- Set Key 5 to 2,800 PSI Crack.
- Key 6 9/16" Mounting Holes (3 PL.)
- Clearance for 1/2" or M13 Mounting Bolts.

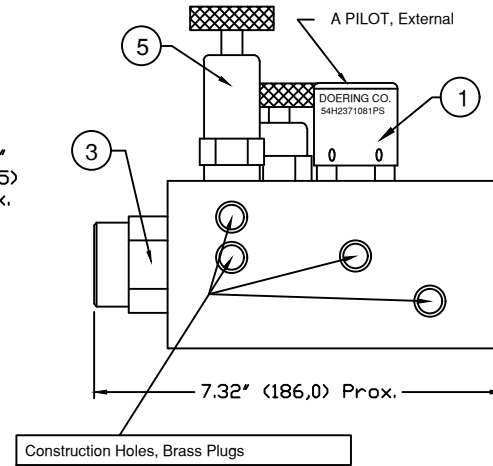
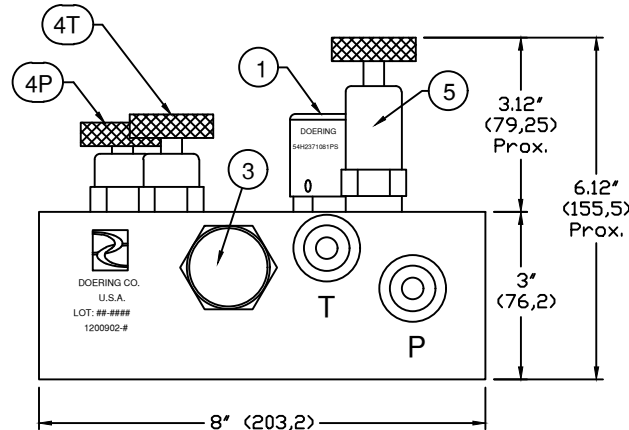
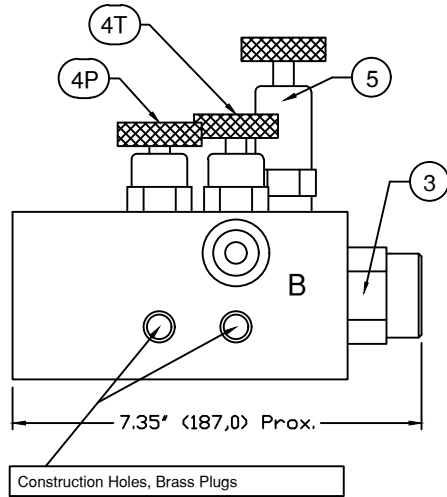
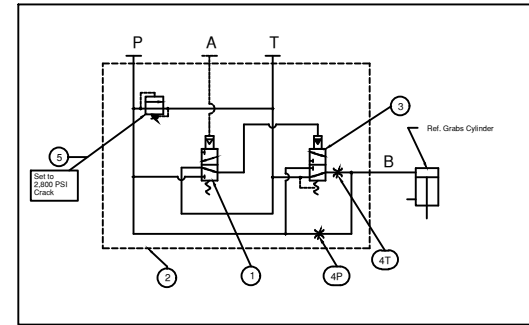
Dimensioning: Inch/(metric)



OPERATIONAL AND NEEDLE VALVE SETTINGS NOTES:

For all operational information including but not limited to Standard and Manual Modes of operation: Please reference the OEMs (original equipment manufactures) operational documentation. The overall circuit was not designed by Doering Co. Please verify that the needle valves are set to the correct position as indicated by the OEMs operational documentation.

For valve specific information on the Doering brand valves included with this assembly, please reference www.doering.com/products.html and enter product number in product Part Number Search window.



Manifold Material, Finish:
 Carbon Steel, Zinc Plated
 Stainless Steel, 303/304
 Order Valves Separately.

Manifold No.
 1200902-8
 1200902-S

Manifold & Valves
 Assembly & Schematic Information
 Available at www.doering.com

6343 RIVER ROAD SE ■ CLEAR LAKE, MN 55319 USA
 Telephone: 320-743-2276 ■ Fax: 320-743-3723
mailbox@doering.com ■ www.doering.com



DOERING