

Description

A screw-in, poppet type, cartridge check valve. For use as a blocking or load-holding device.

Operation

The DCV allows flow passage from port 1 to port 2, while blocking flow in the opposite direction.

Features and Key descriptions:

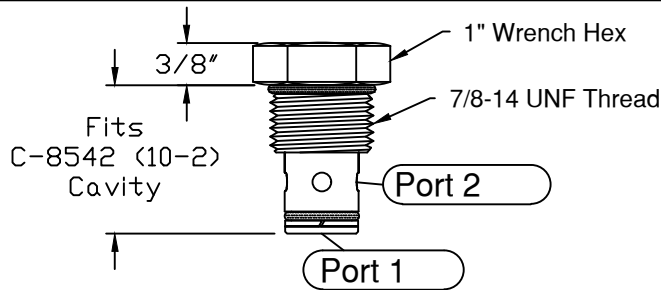
Hardened seat for long life and low leakage.
 Optional soft seat added for more perfect seal.
 Sold with or without poppet bias spring.
 Please call for features or materials not listed.

Key:	Description:
1	Inlet Port
2	Outlet Port
3	Seat Poppet Seal Points (Hard plus optional Soft Seal)
4	Back Up Ring, 014 Teflon (PTFE)
5	Seal, (-014). See Order Information.
6	Seal, -10 SAE (-910). See Order Information.
7	Body Mount, SST., See Order Information.
8	Seat, 17-4 PH SST. Heat Treated
9	Poppet, 17-4 PH SST. Heat Treated
10	Poppet Bias Spring. See Order Information.

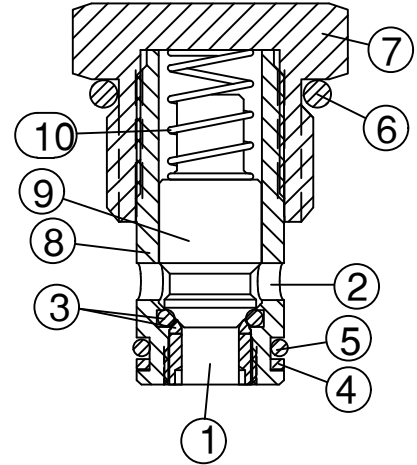
Optional Bias Spring (Key 10) to introduce back-pressure.

Installation and Ratings:

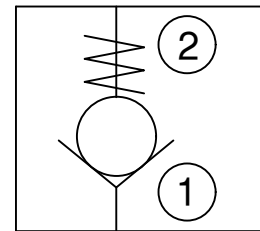
Operating Pressure: 5,000 PSI (345 bar)
 Proof Pressure: 7,500 PSI (518 bar)
 Temperature: -40 to 250°F (-40 to 120°C)
 Mediums: Gas or Liquid
 Installation: Torque - 25 ft-lbs



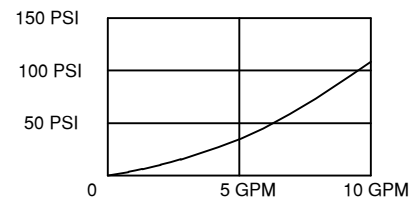
DCV series



Functional Symbol:



FLOW AND PRESSURE DROP CHART. $C_V = 0.9$



Order: DCV- -10- - - -

Seat to Poppet Seal (Key 3)		Material, Body Mount (Key 7):	
Hard Seat, Hydraulic Test	H	Blank	303/304 SST.
Soft Seats, Bubble Tested		316	316 SST.
Buna-N (Nitrile NBR)	N	Poppet Bias Spring, Key 10, Crack Pressure	
EPR/EPDM	R	00	0 PSI (0.0 bar) No Spring
Viton (Fluorocarbon FKM)	V	03	3 PSI (0.2 bar) ±50%
Kel-F (PCTFE)	K	25	25 PSI (1.7 bar) ±20%
Kalrez 7075	K75	40	40 PSI (2.8 bar) ±20%
		70	70 PSI (4.8 bar) ±20%
Seals, External (Keys 5 & 6)			
Buna-N (Nitrile NBR)	N		
EPR/EPDM	R		
Viton (Fluorocarbon FKM)	V		
Teflon (PTFE)	E		
Kalrez 7075	K75		
Low-Temp Buna-N	W		