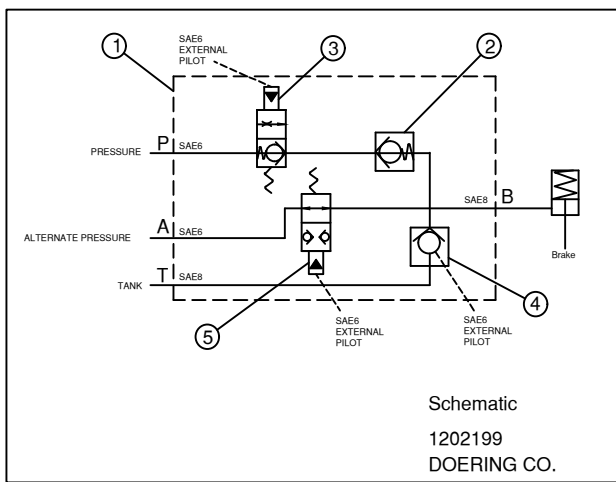


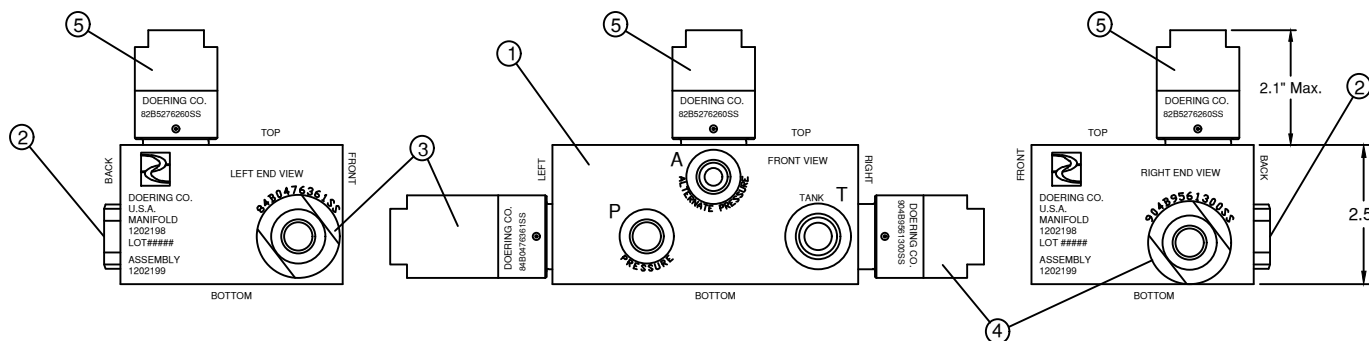
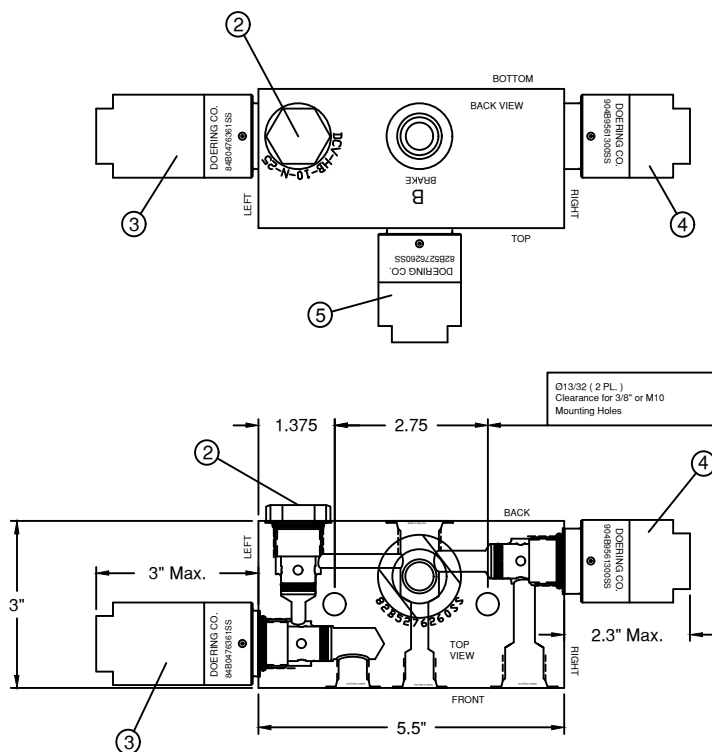
6343 RIVER ROAD SE ■ CLEAR LAKE, MN 55319 USA
 Telephone: 320-743-2276 ■ Fax: 320-743-3723
 mailbox@doering.com ■ www.doering.com



DOERING



Port	Function & Description
A	Alternate Pressure, SAE6, O-Ring Port
B	Brake, SAE8, O-Ring Port
P	Pressure Inlet, SAE6, O-Ring Port
T	Tank, SAE8, O-Ring Port



Complete Assembly order Doering P/N: 1202199

Key	Description & Doering Part Number
Key 1	Doering Manifold, P/N 1202198
Key 2	Doering Check Valve, DCV-HB-10-N-25, 25 PSI Crack
Key 3	Doering Normally Closed Valve, P/N 84B0476361SS, Pilot To Open, .047" Orifice, 36:1
Key 4	Doering Normally Open Check Valve, P/N 904B9561300SS, Pilot To Close, 13:1
Key 5	Doering Normally Open Valve, P/N 82B5276260SS, Pilot To Close, 26:1

Material Note: Manifold and Valves are Stainless Steel.
 Pilots are Rated for Hydraulic Pressure to 5000 PSI.

1202199
 Assembly Drawing
 Bill of Material
 Schematic