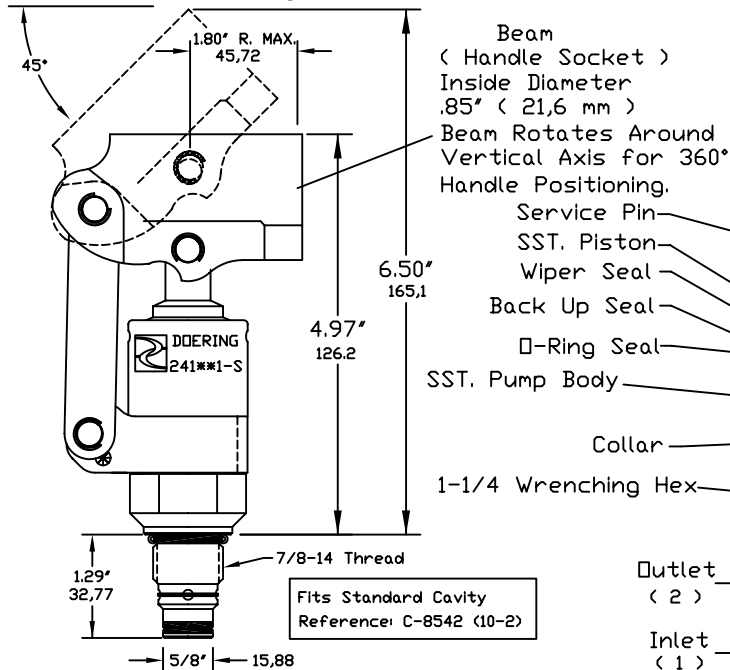
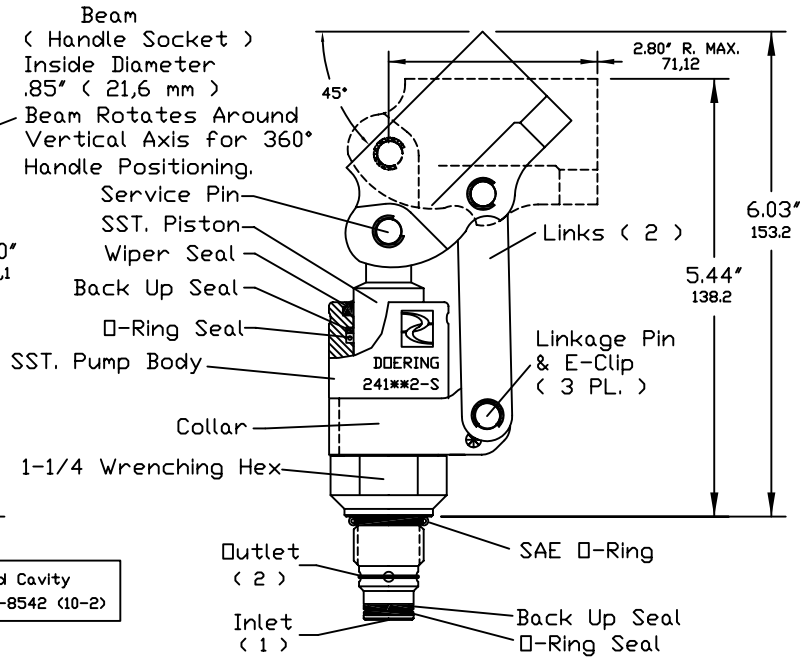


241-S SERIES CARTRIDGE PUMPS

Push Style Linkage:
Push to Pressurize
Pull to Fill Cylinder



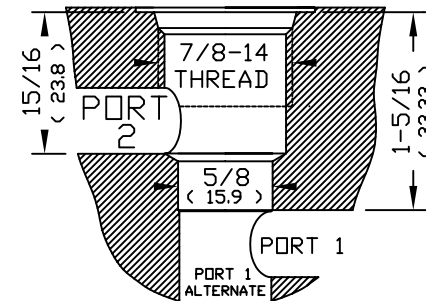
Pull Style Linkage:
Pull to Pressurize
Push to Fill Cylinder



FEATURES

All wetted parts are Stainless Steel.
Beam and Collar are Electroless Nickel plated Carbon Steel.
For all SST, order -SS
Operates in any position.
Rated to 5000 PSI.
Ability to generate PSIG determined by piston size.
See SELECTION GRAPH.

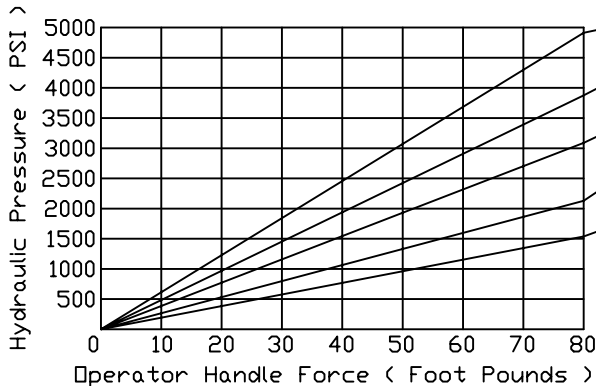
CAVITY



Cavity Spec. Sheet 1200621
Cavity C-8542 (10-2 Industry)
Reference Form Tool: FT-8542

PUMP SELECTION GRAPH

Maximum Safe Operating Pressure 5000 PSI



Do not exceed handle force of 80 Pounds.

DISPLACEMENT, FULL STROKE, Cubic Inches / Cubic Centimeters	PUSH STYLE ORDER NO.	PULL STYLE ORDER NO.	HOUSING BODY NO.
.196 3,2cc	241501-S	241502-S	S8542W-## See Spec. Sheet 1201455
.249 4,0cc	241561-S	241562-S	
.307 5,0cc	241621-S	241622-S	
.442 7,2cc	241751-S	241752-S	
.601 9,8cc	241871-S	241872-S	

ACCESSORIES:

Zinc Plated Handle, 16" (406,4 mm), Order No. 241016
SST. Handle, 16" (406,4 mm), Order No. 241016-S
See Handle Spec. Sheet 1201459 for more information.

OPTIONS:

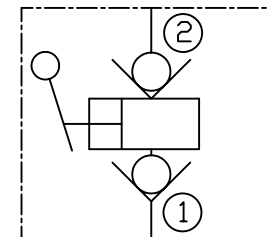
Seal Materials: Call for quotation.

INSTALLATION: Lubricate seals.

Use 1-1/4" Wrench. Torque to approximately 50 Foot Pounds.

241-S SERIES

Functional Symbol:



6343 RIVER ROAD SE ■ CLEAR LAKE, MN 55319 USA
Telephone: 320-743-2276 ■ Fax: 320-743-3723
mailto:doering.com ■ www.doering.com



DOERING