

SPECIFICATIONS:

Manually Operated poppet valve.
 Two way, normally open, push operator to close.
 Maximum pressure 5,000 PSI, Cavity C-8502
 Cavity C-8542, 5,000 PSI Port 1, 3,000 PSI Port 2
 See "SHIFT FORCE NOTES" regarding operating force required to close valve.
 1/4" Stroke is approximate.
 Overtravel Protection is available.
 Overstroking will damage the valve.
 Use 1" wrench to install valve.
 Torque to 20 foot pounds.
 Use lubricant on external oil seals and mounting threads.
 Fluid temperature -45°F (-42.7°C) to 200°F (93.3°C)

STROKE INFORMATION

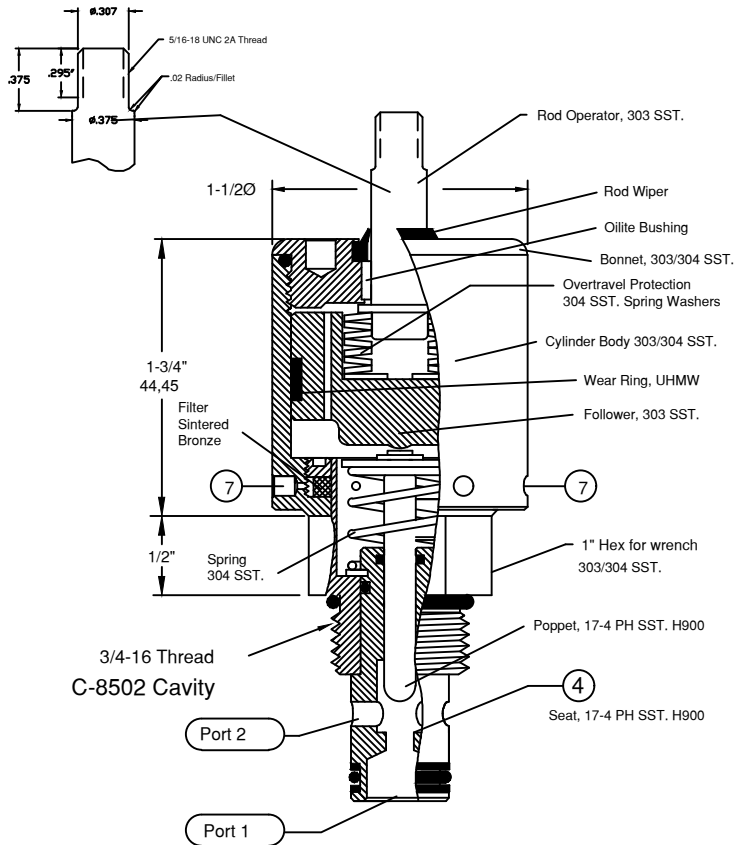
SHIFT FORCE NOTES:

10 to 15 Pounds of Force is required to shift the valve poppet with zero pressure on ports 1 and 2.

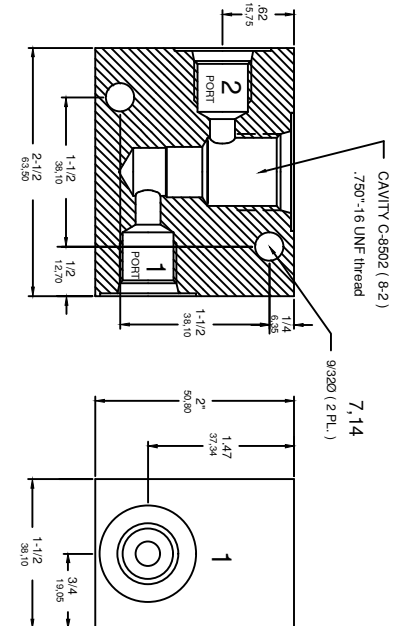
To determine the additional operating force imposed by the system pressure, multiply the system pressure X .03 and add the result to the 10 or 15 Pounds.

Example: 3,000 PSI System
 $3000 \times .03 = 90\#$
 $90 + 15 = 105\#$
 Total Operator Force = 105#

CARTRIDGE VALVE



HOUSING



Valve Number: **1202277**

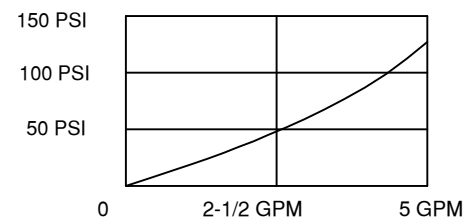
Housing Number: **S8502-S**

3/8 NPT, Stainless Steel Housing

Assembly Number: **1202278**

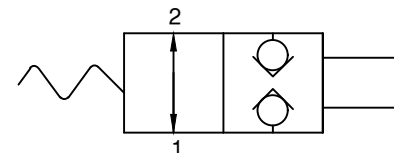
PRESSURE DROP CHART $C_V = 0.4$

VALVE ORIFICE DIAMETER = .180"



2PB SERIES

Functional Symbol



2PB N/O

2 Way Poppet Valve, Manually Operated

6343 RIVER ROAD SE ■ CLEAR LAKE, MN 55319 USA
 Telephone: 320-743-2276 ■ www.doering.com
 Email: customerservice@doering.com



DOERING