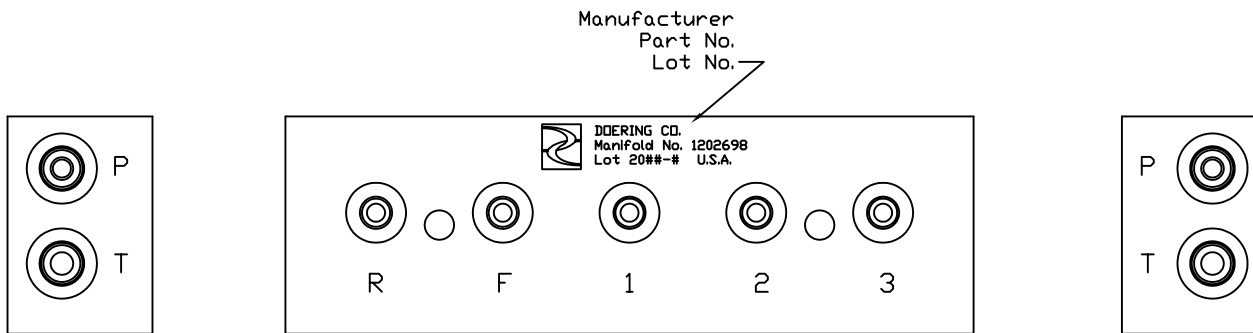
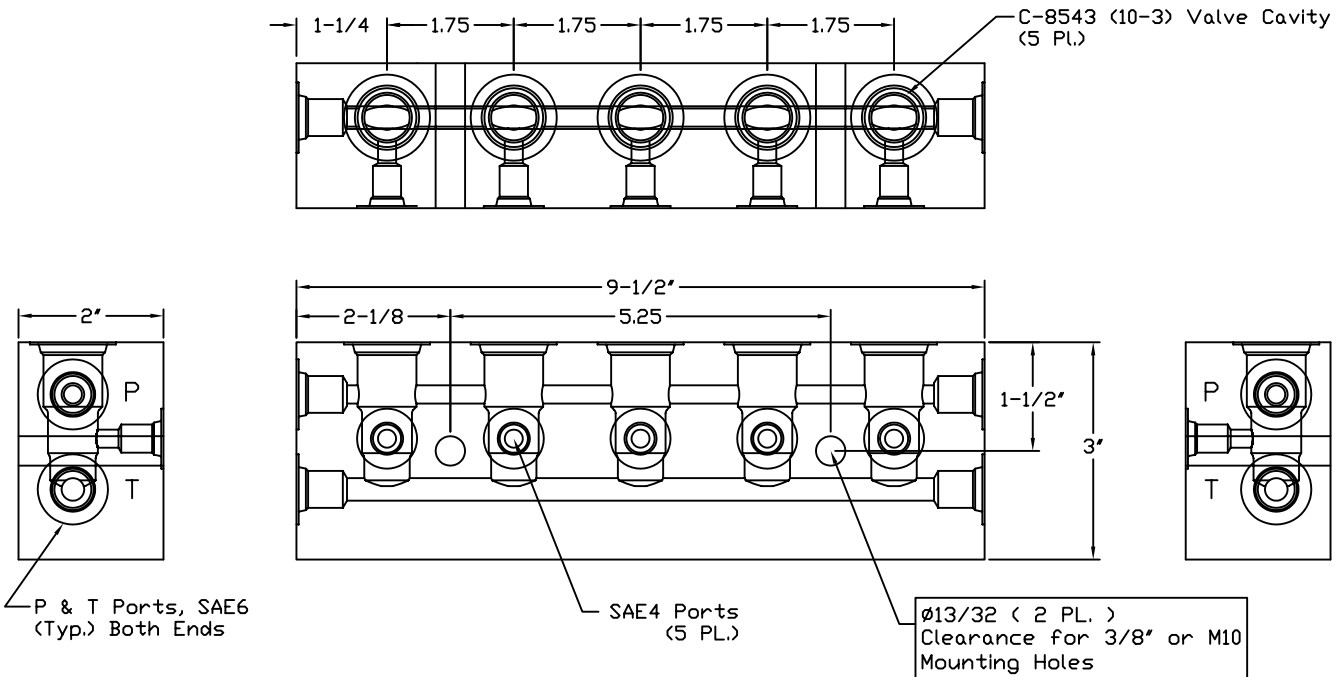


6343 RIVER ROAD SE ■ CLEAR LAKE, MN 55319 USA  
 Telephone: 320-743-2276 ■ Fax: 320-743-3723  
 mailbox@doering.com ■ www.doering.com



Order Information:  
 Order Doering Cartridge Valves separately.  
 Order 1202698 Doering Housing

Housing Material: 6061 Aluminum

