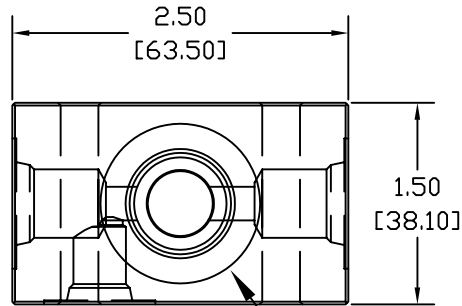
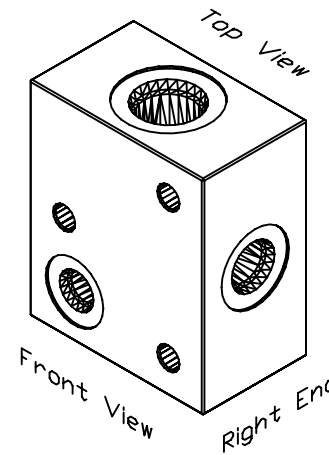


6343 RIVER ROAD SE ■ CLEAR LAKE, MN 55319 USA
 Telephone: 320-743-2276 ■ Fax: 320-743-3723
 mailbox@doering.com ■ www.doering.com

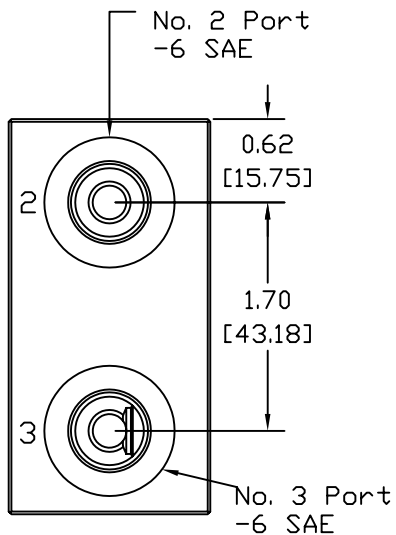


Cavity C8502 (2 Pl.)
Both Ends

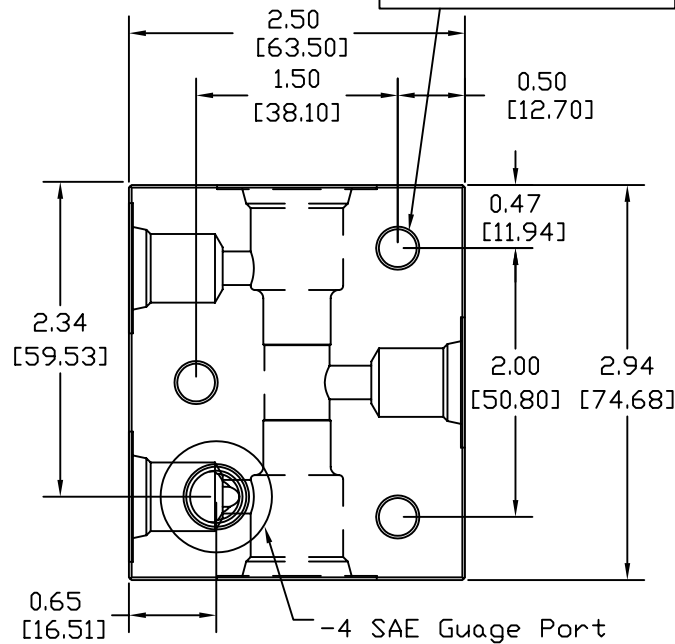
Top View



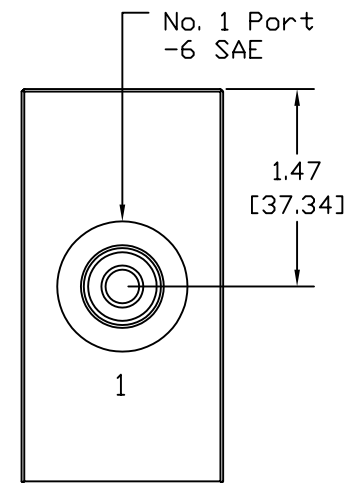
Ø9/32 (3 PL.)
Clearance for 1/4" or M6
Mounting Holes



Left End View



Front View

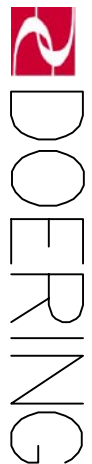


Right End View

1202699 Rev. 00

Housing, S3M08/Gauge Port

Material: Aluminum



Spec. Sheet 1202699 Rev. 00