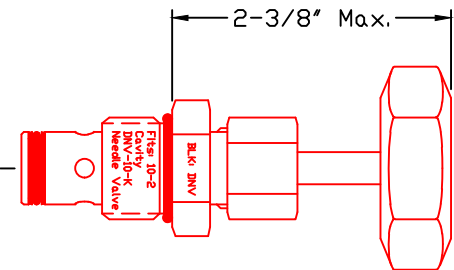
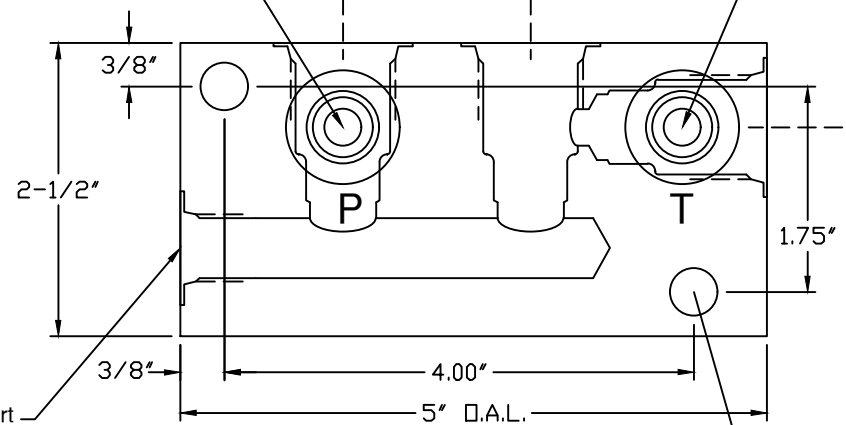


2 Ea. Air Pilot Operated, Hydraulic Valves.
 84H2270401 Doering Valve, N/C, Pilot to Open, 40:1
 Reference Doering Spec. Sheet No. 1201280
 Requires Cavity C-8542 (10-2)

SAE-6 Pressure Inlet
 Mark Port
P

SAE-6 Tank, Flow Controlled through DNV.
 Mark Port
T



1 Ea. Needle Valve for Flow Control.
 DNV-10-K Doering Needle Valve
 Ref. Doering Spec. Sheet No. 1201273
 Requires Cavity C-8542 (10-2)

Ø13/32 (2 PL.)
 Clearance for 3/8" or M10
 Mounting Holes
 Manifold is 2" thick.

SAE-6 Cylinder Port
 Mark Port
C

Order Assembly No. 1202806-01

Assembly Includes the following:

- 1 Ea. P/N 1202805 Manifold, Aluminum
- 2 Ea. P/N 84H2270401 Valve, N/C, 40:1
- 1 Ea. P/N DNV-10-K Valve, Needle

1202806 Rev. 02
 Assembly