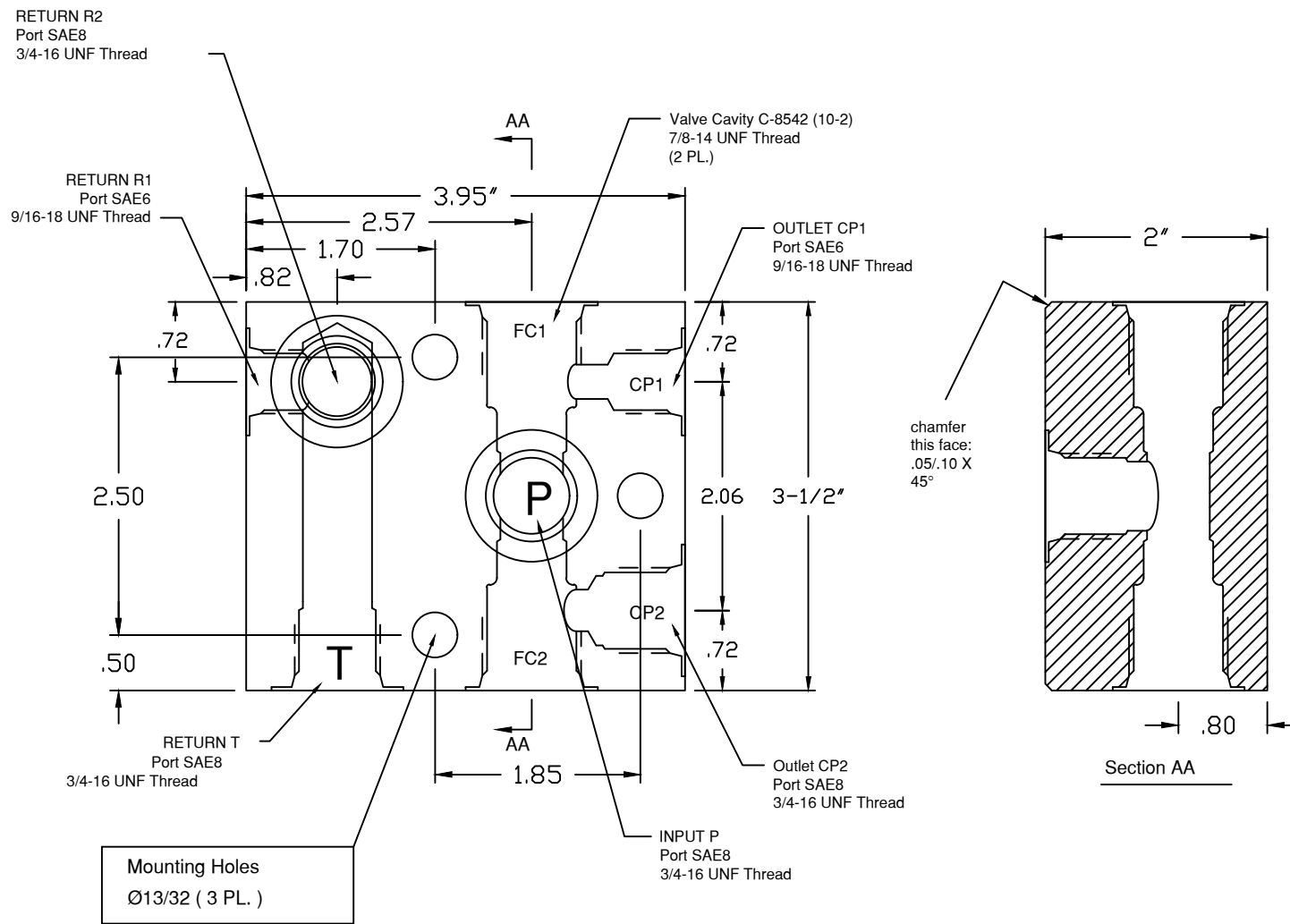


6343 RIVER ROAD SE ■ CLEAR LAKE, MN 55319 USA
 Telephone: 320-743-2276 ■ Fax: 320-743-3723
 mailbox@doering.com ■ www.doering.com



Material: 316 SST.

1202932 Rev. 05
Manifold



SPEC. SHEET NO. 1202932 REV. 005