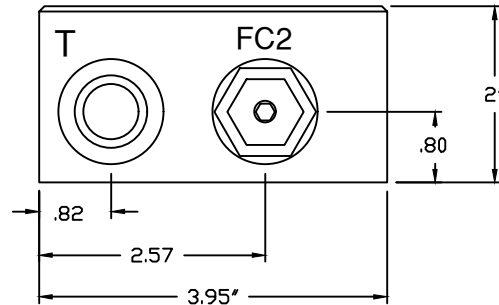
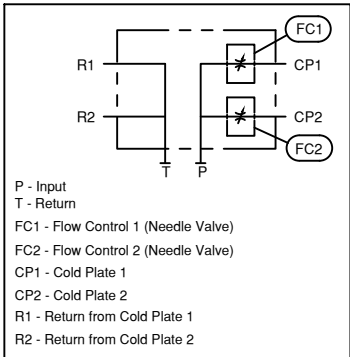
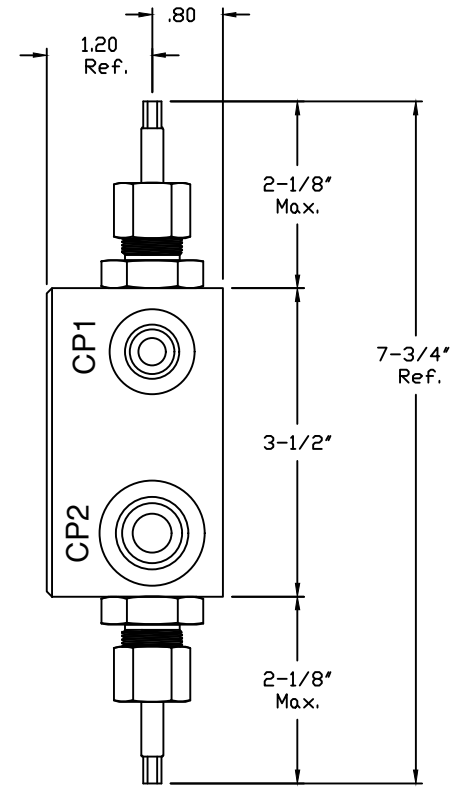
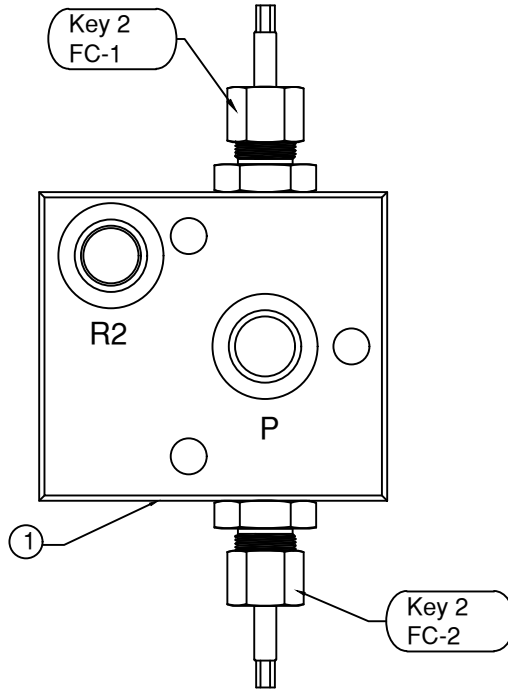
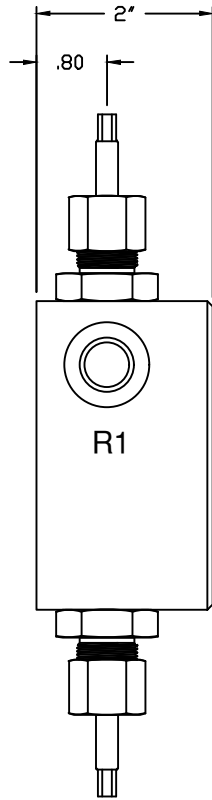
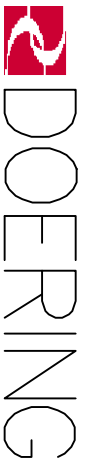


6343 RIVER ROAD SE ■ CLEAR LAKE, MN 55319 USA  
 Telephone: 320-743-2276 ■ Fax: 320-743-3723  
 mailbox@doering.com ■ www.doering.com



**Bill of Material:**

Order 1202933 for complete assembly.

Assembly includes the following:

Key 1 1202932 Manifold, 316 SST.

Key 2 1202022-S316 Doering Needle Valve (2 Used) FC1 & FC2

Mounting Bolts (3 Used) Not supplied by Doering.

1202933 Rev. 05  
 Assembly