

DESCRIPTION:

- A screw-in cartridge, needle valve.
- Close with clockwise rotation of hand knob.
- Open with counterclockwise rotation of hand knob.
- Fits Doering C-8542 Cavity (10-2)

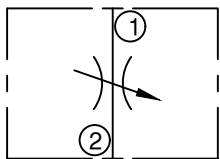
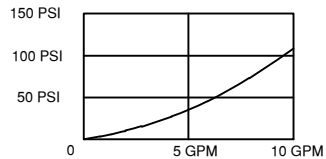
FEATURES:

- Stainless Steel Wetted Parts
- Stainless Hand Knob
- Adjustments cannot cause parts to back out of valve.
- Positive shut off for gases or liquids.
- Pressures to 5,000 PSIG, Port 1
- Pressures to 3,000 PSIG, Port 2

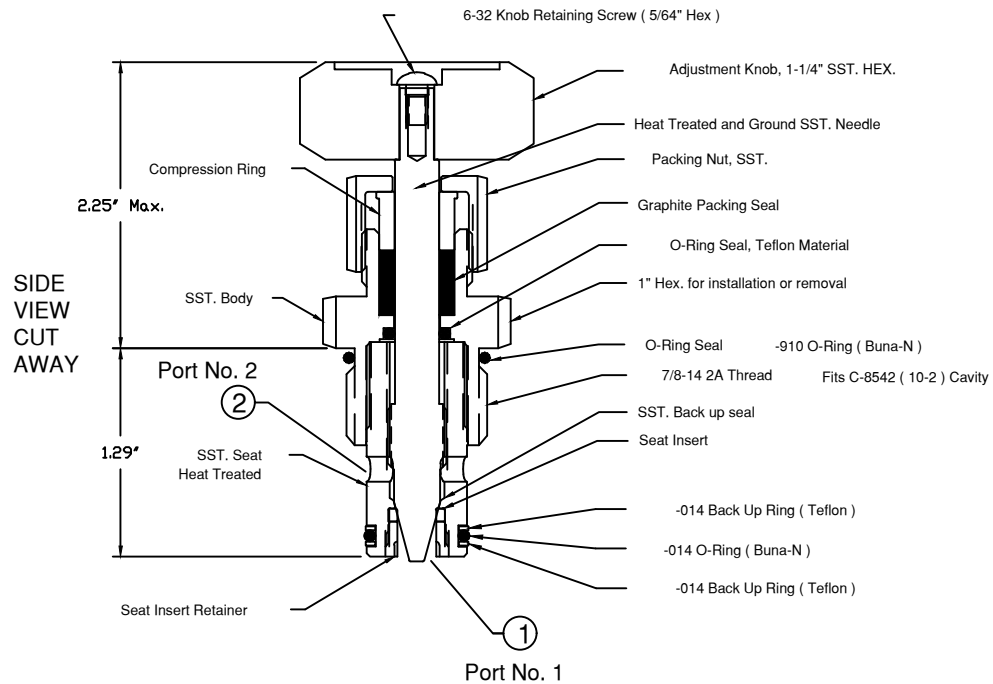
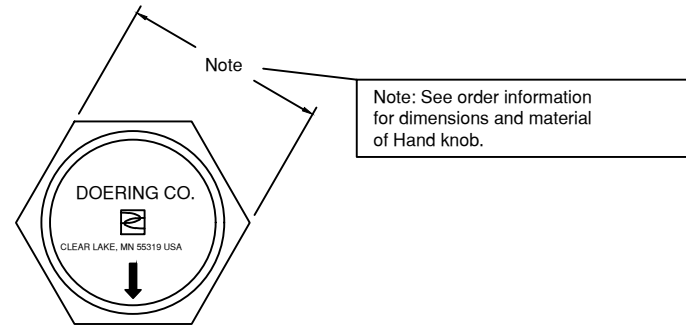
NOTES:

- SST = Stainless Steel material
- Install with 20 to 30 foot pounds torque.
- Lubricate Seals and Threads before installation.

• PRESSURE DROP / FLOW



FUNCTIONAL SYMBOL



Assembled and Tested using only:
MIDEL 7131 Lubricant
Ref. Doering P/N 1203006

DOERING NEEDLE VALVE
ORDER NUMBER:

1202987

6343 RIVER ROAD SE ■ CLEAR LAKE, MN 55319 USA
Telephone: 320-743-2276 ■ Fax: 320-743-3723
mailto:doering.com ■ www.doering.com



DOERING