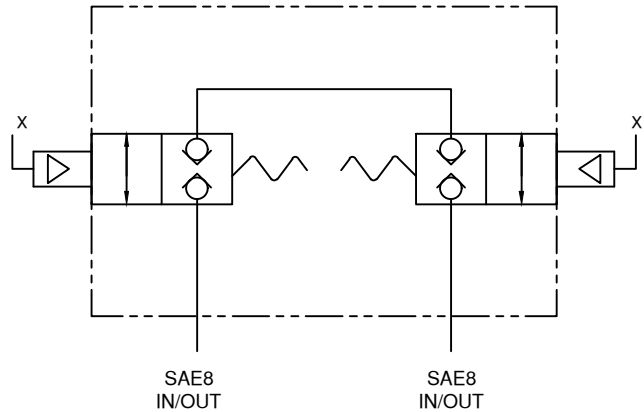
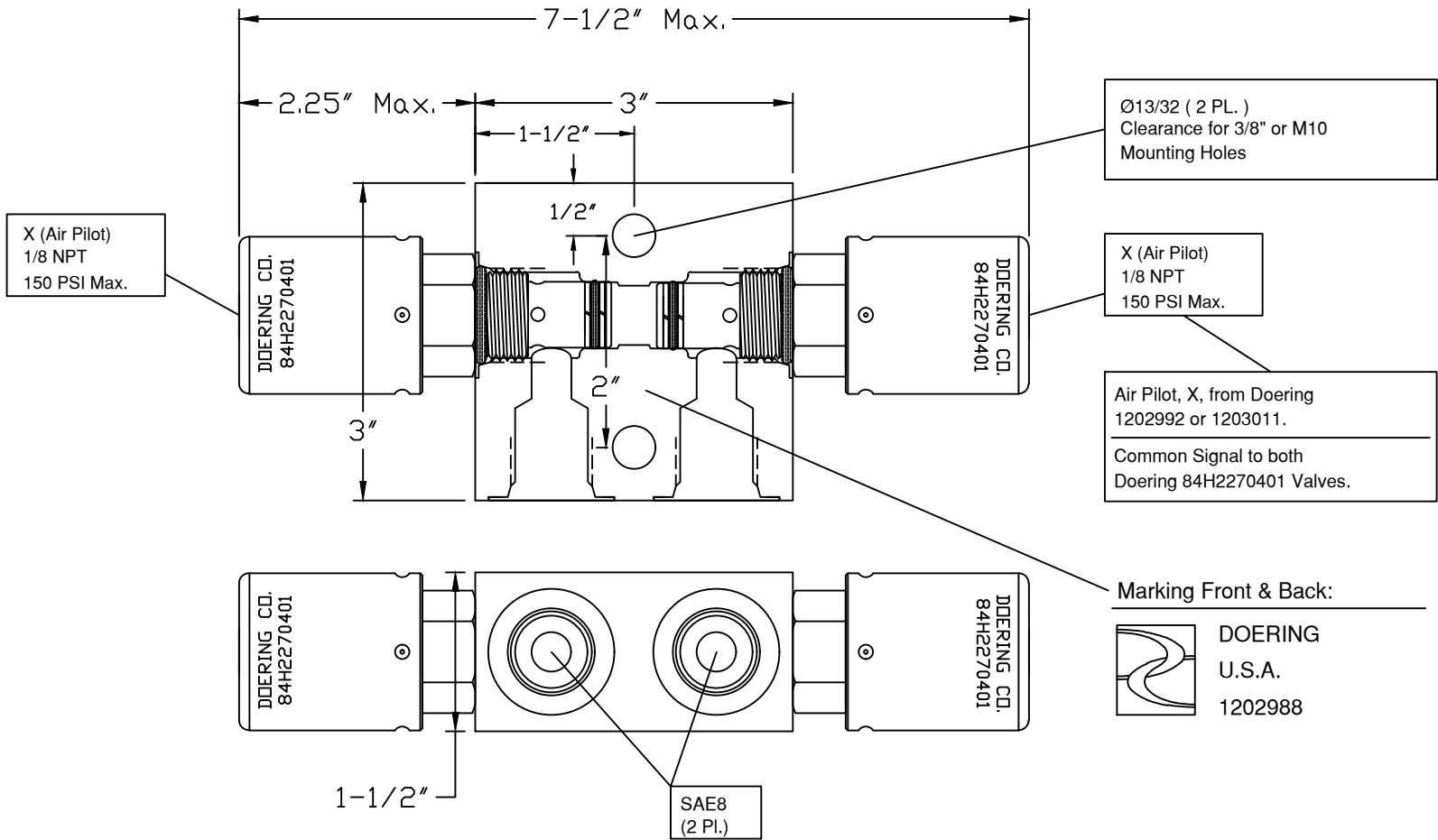


6343 RIVER ROAD SE ■ CLEAR LAKE, MN 55319 USA  
 Telephone: 320-743-2276 ■ Fax: 320-743-3723  
 mailbox@doering.com ■ www.doering.com



**BOM/Order Information**

- 1202989 Doering Assembly (Housing & Two Valves)
- 1202988 Doering Housing, 304 Stainless Steel
- 84H2270401 Doering Cartridge Valves (2 Required)
- For 84H2270401, also see Doering Spec. Sheet 1201280

