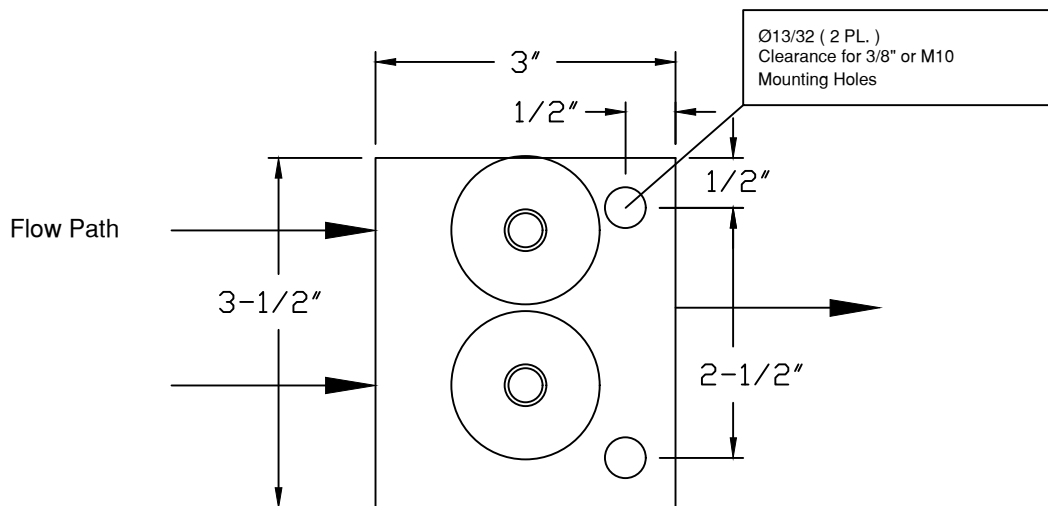


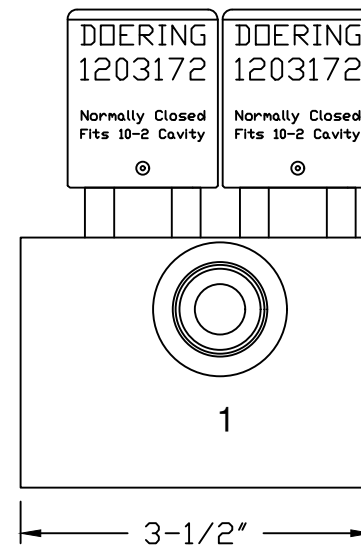
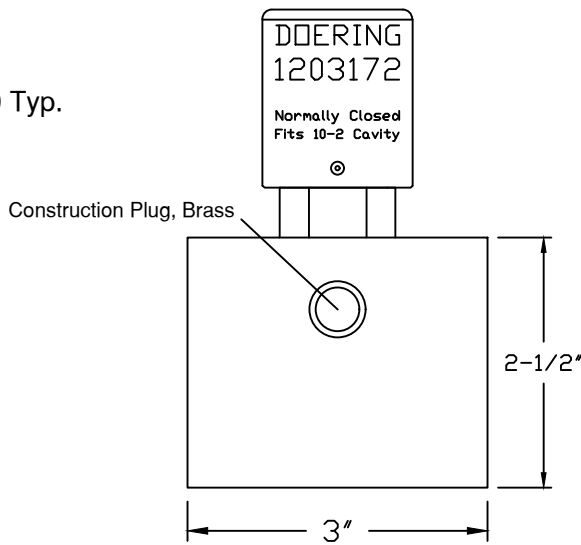
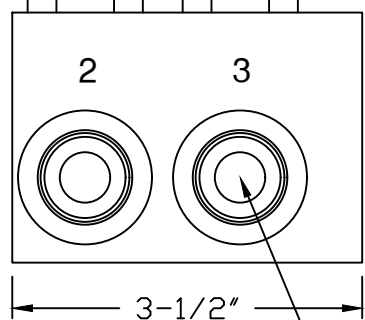
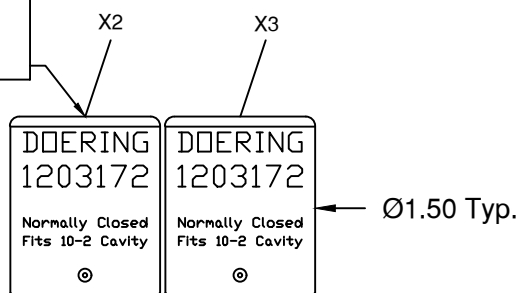
6343 RIVER ROAD SE ■ CLEAR LAKE, MN 55319 USA  
 Telephone: 320-743-2276 ■ Fax: 320-743-3723  
 mailbox@doering.com ■ www.doering.com



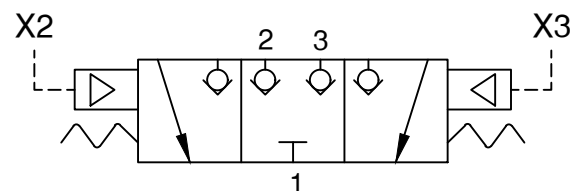
DOERING



X Pilots are  
1/8 NPT Typ.



SAE -10 (Ports 1, 2 & 3)



Qty.	Description
1	1203143 Assembly of Manifold and 2 Valves
1	1203142 Manifold, Aluminum with Brass Construction Plug
2	1203172 Doering Valves, N/C (valves X2 and X3)