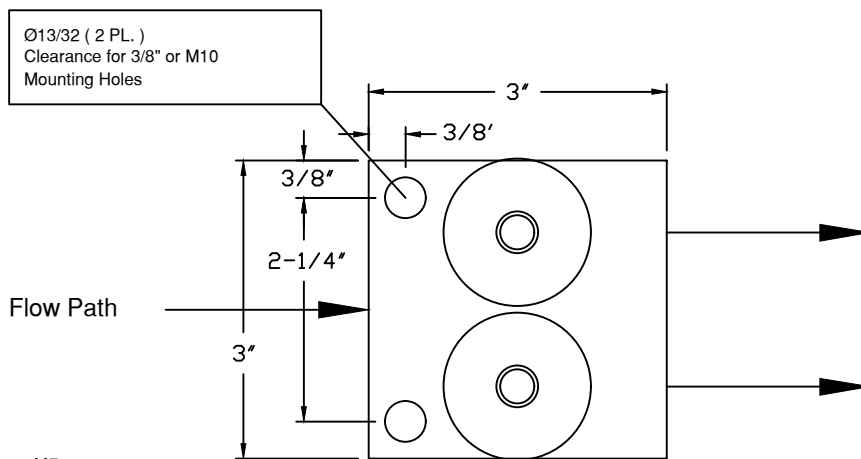


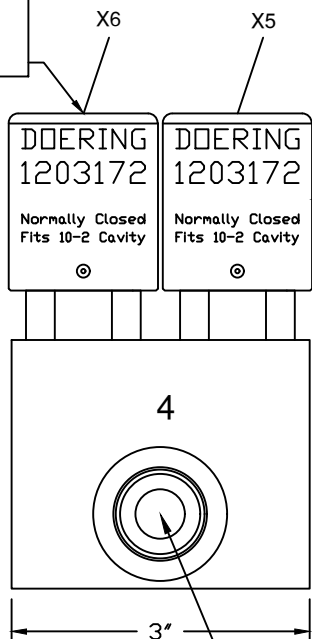
6343 RIVER ROAD SE ■ CLEAR LAKE, MN 55319 USA  
 Telephone: 320-743-2276 ■ Fax: 320-743-3723  
 mailbox@doering.com ■ www.doering.com



DOERING

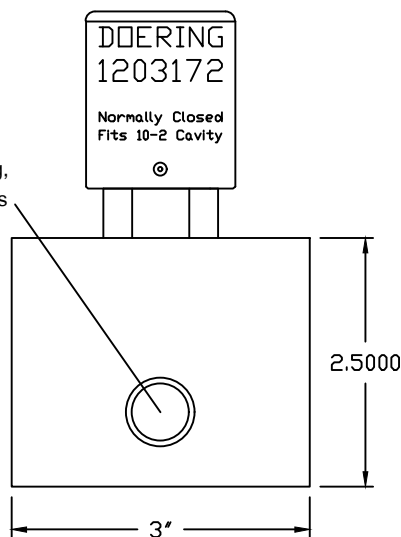


X Pilots are 1/8 NPT Typ.

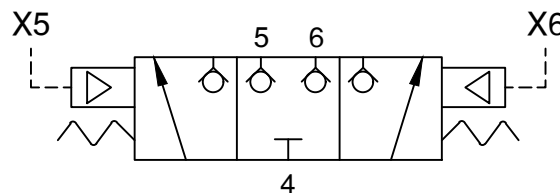
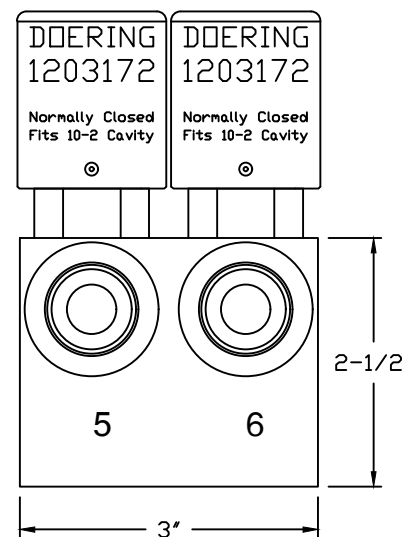


$\text{Ø}1.50$  Typ.

Construction Plug, Brass



SAE -10 (Ports 4, 5 & 6)



Qty.	Description
1	1203145 Assembly of Manifold and 2 Valves
1	1203144 Manifold, Aluminum with Brass Construction Plug.
2	1203172 Doering Valves, N/C (valves X5 and X6)