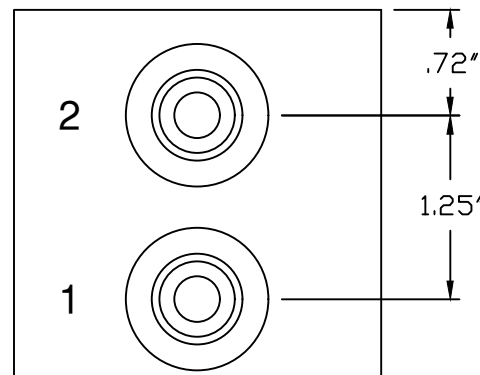
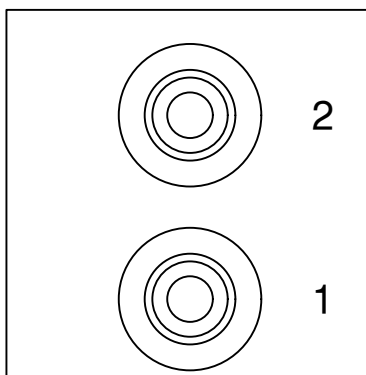
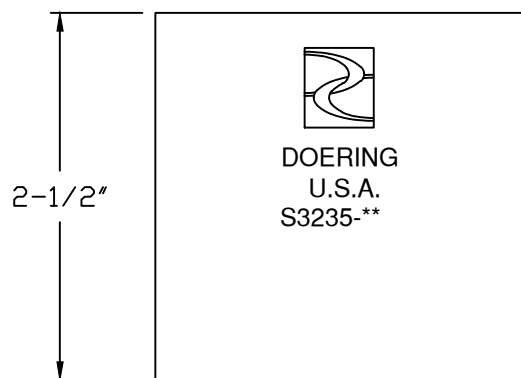
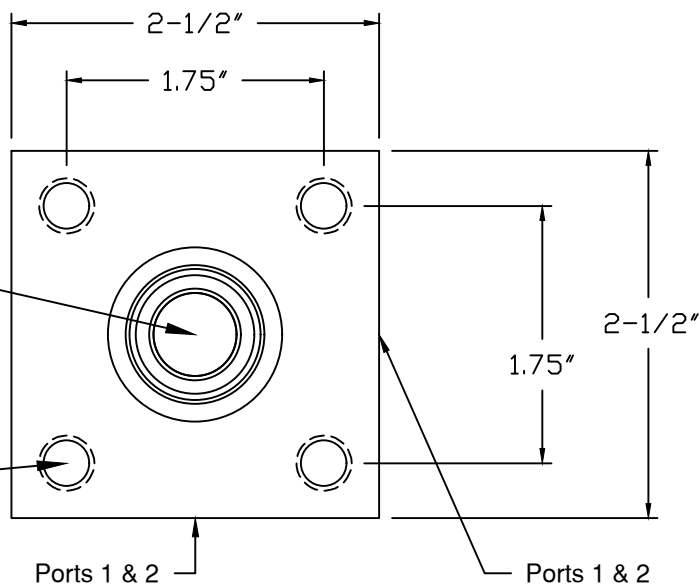


6343 RIVER ROAD SE ■ CLEAR LAKE, MN 55319 USA  
 Telephone: 320-743-2276 ■ Fax: 320-743-3723  
 mailbox@doering.com ■ www.doering.com

Doering Valve Cavity:  
 C-8542 (10-2)  
 Cavity Spec. Sheet 1200621

3/8-16 Thread  
 X 3/4" Deep  
 (4 PL.)



**ORDER INFORMATION:**

S3235-

Ports 1 & 2

- 1 (1/8 NPT)
- 2 (1/4 NPT)
- 3 (3/8 NPT)
- 4 (SAE4, ORB)
- 6 (SAE6, ORB)

Material Select

- Blank (6061 Aluminum)
- S (304 Stainless)
- S316 (316 Stainless)

**TECHNICAL:**

Port 1 Enters on two sides and passes through.  
 Port 2 Enters on two sides and passes through.  
 Doering Cartridge Valve either connects or blocks  
 flow from 1 to 2.

**Doering Housing**  
**S3235 Series**

