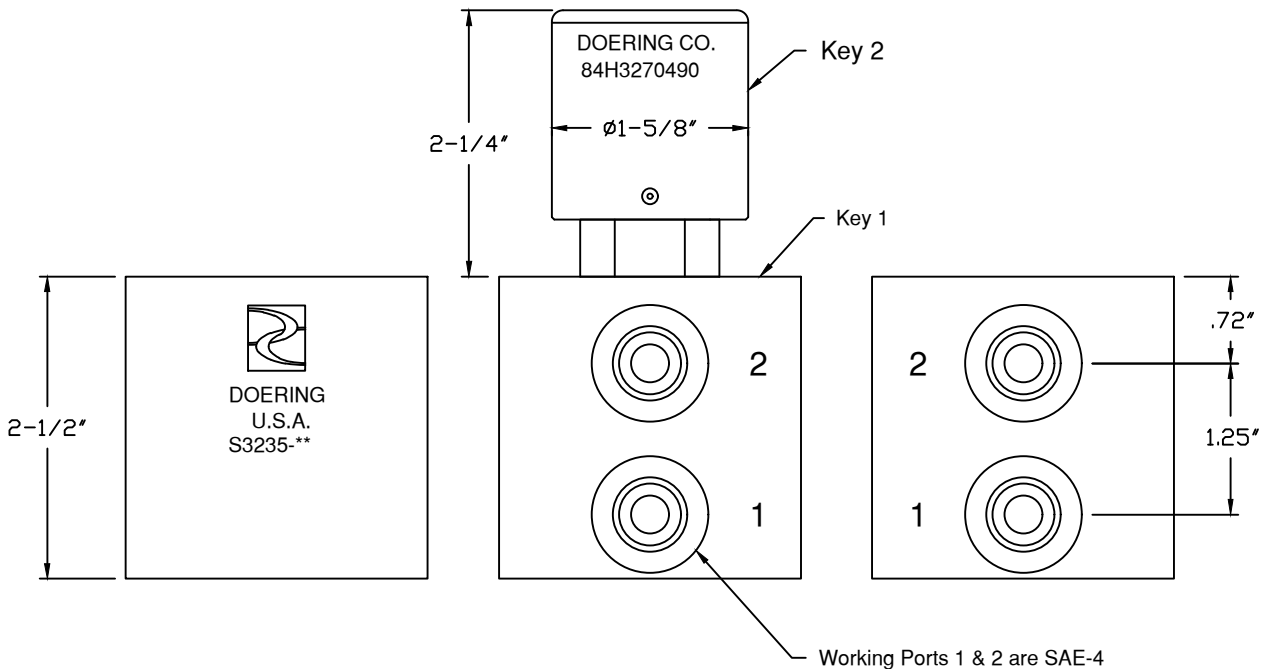
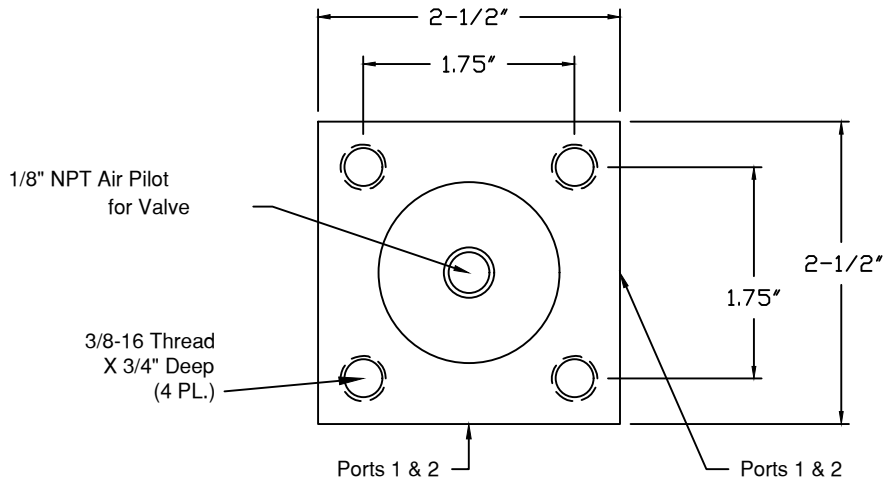


Assembly Drawing 1203236



Key Bill of Material and Order Information:

- 1203236 Assembly, Includes Housing and Valve.
- 1 S3235-4S Housing, Ref. Spec. Sheet 1203235
- 2 84H3270490 Doering Cartridge Valve, N/O, 49:1, Ref. Spec. Sheet 1201317

Spec. Sheets are available at www.doering.com, enter Spec. Sheet No. in search window.