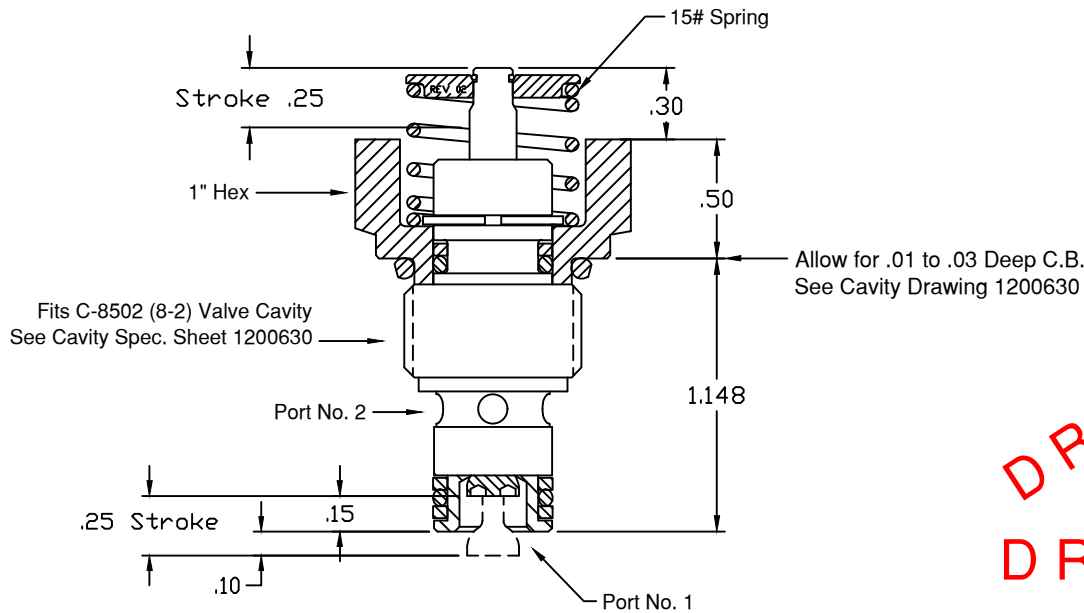


Operating Force: Spring 15# plus pressure at Port No. 1 X .03  
 Maximum Rated Pressure 5,000 PSI  
 Valve has full flow at .15 Stroke.  
 Spring is Solid at Full Stroke of .25"



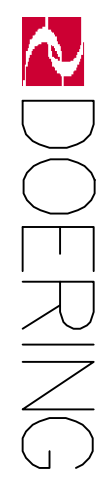
**DRAFT**  
**DRAFT**

**DRAFT**  
 1203265  
 Russ 2/10/12 (12/20/11)

**Doering Valve**  
**P/N 1203265**

Materials: Stainless Steel  
 Valve has Kel-F and SST. Seat  
 Viton and Teflon Seal Materials.  
 Dimensions in Inch.

6343 RIVER ROAD SE ■ CLEAR LAKE, MN 55319 USA  
 Telephone: 320-743-2276 ■ Fax: 320-743-3723  
 mailbox@doering.com ■ www.doering.com



**DRAFT**

**DRAFT**

**1203265**

**Russ 2/10/12 (2/10/12)**

Doering Cavity  
Modifications  
to Adapt  
Doering Valve  
P/N 1203265  
to:  
PFE2 Upper Manifold  
and  
PFE2 Lower Manifold

