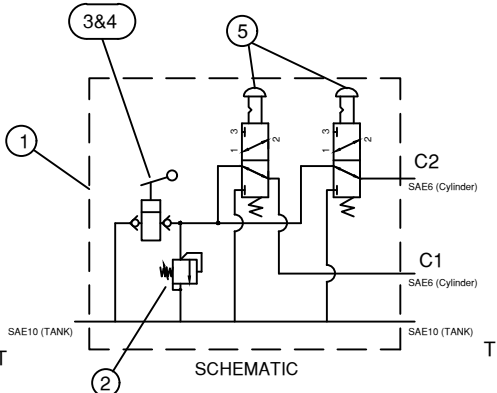


**Operation:**  
 Pump is used to provide hydraulic pressure through outlets C1 and C2.  
 When valves are in the latched detent position (Actuator Button Down),  
 C1 and C2 drain to tank.  
 When valve is released from the detent position (Actuator Button Up),  
 pump pressure/flow connects to C1 or C2.  
 SUN Relief valve to be set to desired pressure to protect components.



Key	Description & Part Number
Key 1	Doering Manifold, P/N 1202528, Aluminum Material, Rated 3,000 PSI
Key 2	SUN Relief Valve, Direct Acting, P/N RDBA-LAN (NOT INCLUDED)
Key 3	241621-S Doering Pump, Stainless, .307 Cubic Inch Displacement
Key 4	241016-S Doering Handle, 16" Stainless Steel with Rubber Grip
Key 5	(2 Used) P/N 54H237MOLS2SS Doering Spool Valve, Latching Detent

Complete Assembly Order Doering P/N 1203408 Rev. 00

1203408 Rev. 00  
 Two Station Assembly