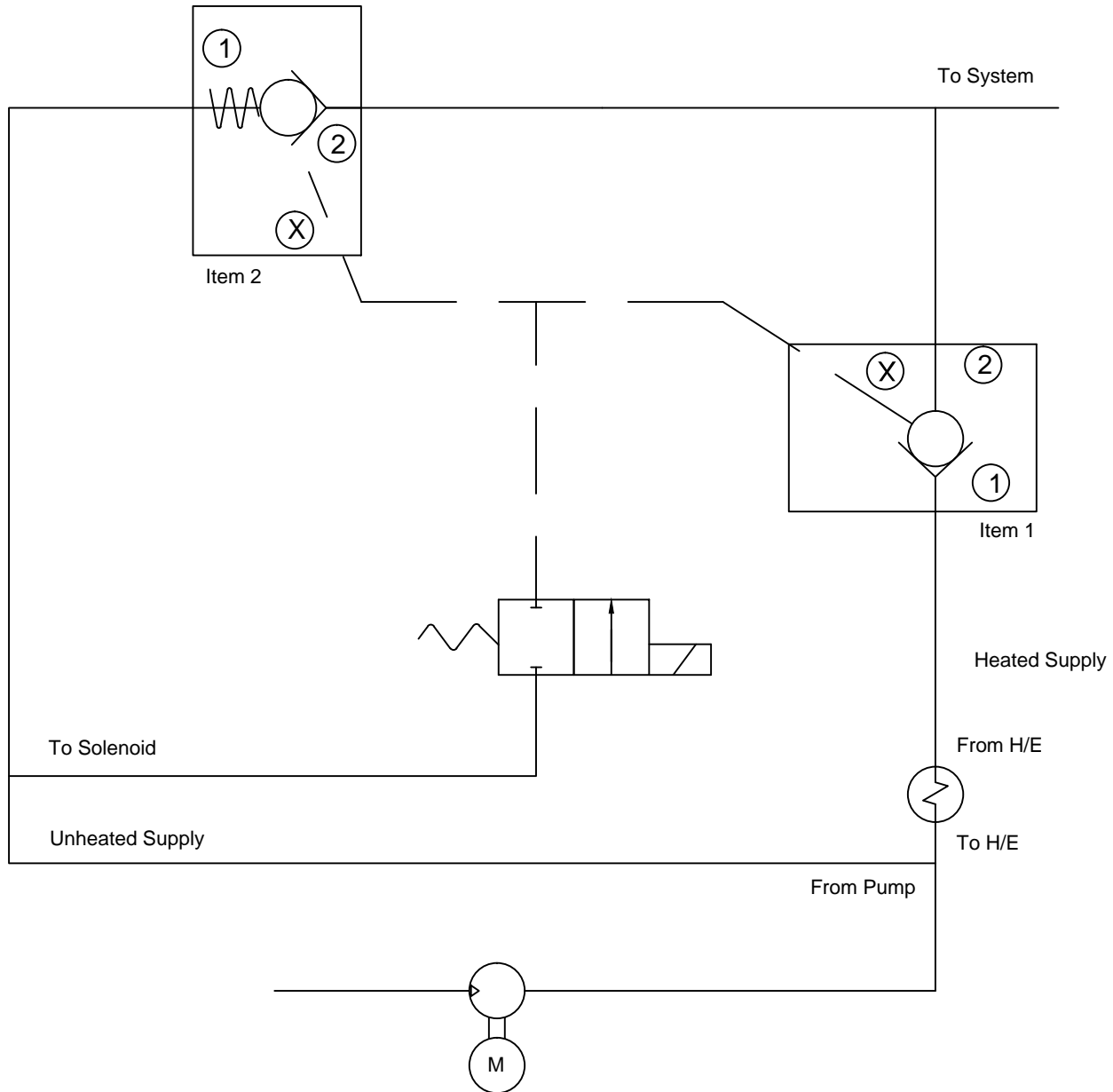


## POC Valve Diagram Hard Seat & Soft Seat Option



Item 1: POC, Normally Open, Pilot to Close  
904K9521303EE, 1202809

Item 2: POC, Normally Closed, Pilot to Open  
845092131EDED, 1203420

Item 3: Manifold, S3419-2-3-S, 1203419