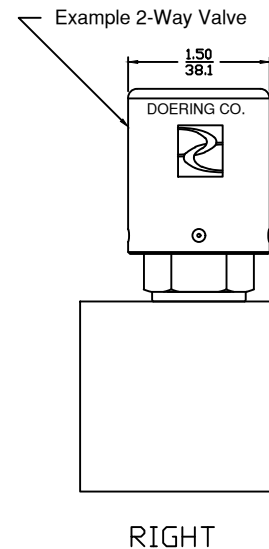
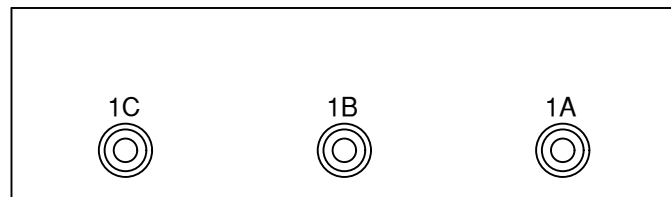
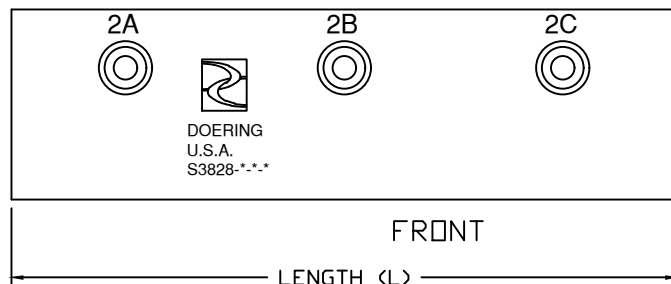
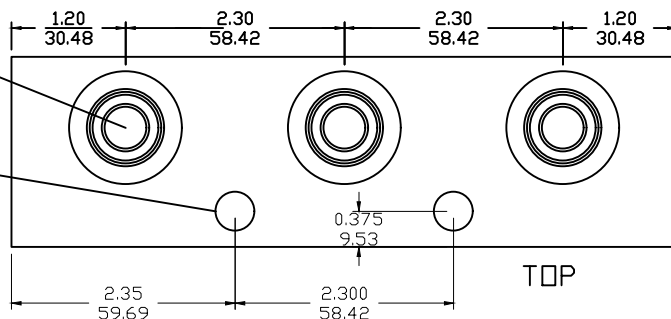
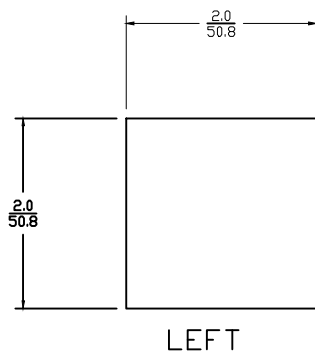


6343 RIVER ROAD SE ■ CLEAR LAKE, MN 55319 USA  
 Telephone: 320-743-2276 ■ Fax: 320-743-3723  
 mailbox@doering.com ■ www.doering.com

Valve Cavities, C-8502 (8-2) 1 Per Station.  
 See Spec. Sheet 1200630 for Cavity Detail

Ø13/32 ( 2 PL. )  
 Clearance for 3/8" or M10  
 Mounting Holes



INCH  
 METRIC

S3828-3-##-# (Three Station) Illustrated BACK

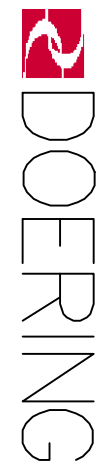
### Order Information:

Order Cartridge Valves Separately (One Per Station Required)

Multi Station Housing: S3828-##-#-####

Stations	LENGTH (L) INCH/METRIC	No. 1 Ports (1A, 1B, 1C, Etc.)	No. 2 Ports (2A, 2B, 2C, Etc.)	Material Option, Pressure Rating
2 (Two Station)	- 4.70/119.38	2 (1/4 NPT)	1 (1/8 NPT)	Blank (6061 Aluminum) 3,000 PSIG
3 (Three Station)	- 7.00/177.8	3 (3/8 NPT)	2 (1/4 NPT)	S (304 Stainless) 5,000 PSIG
4 (Four Station)	- 9.30/236.22	4 (SAE4, ORB)	3 (3/8 NPT)	S316 (316 Stainless) 5,000 PSIG
5 (Five Station)	- 11.6/294.64	G4 (G 1/4-19 BSPP)	4 (SAE4, ORB)	
6 (Six Station)	- 13.9/353.06	6 (SAE6, ORB)	G4 (G 1/4-19 BSPP)	
		G6 (G 3/8-19 BSPP)	6 (SAE6, ORB)	
			G6 (G 3/8-19 BSPP)	

Pressure Note: Double pressure rating for Port 1 only.



SPEC. SHEET NO. 1203828 REV. 01