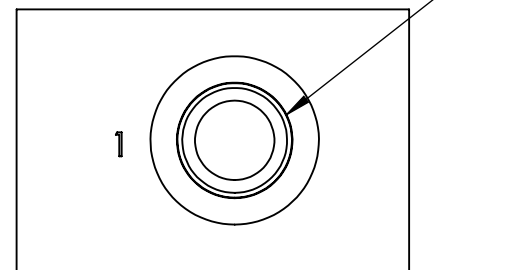
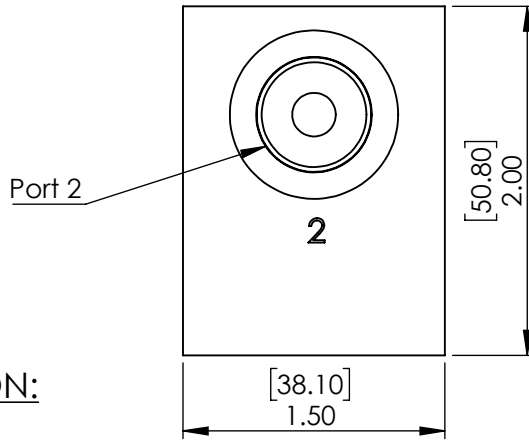
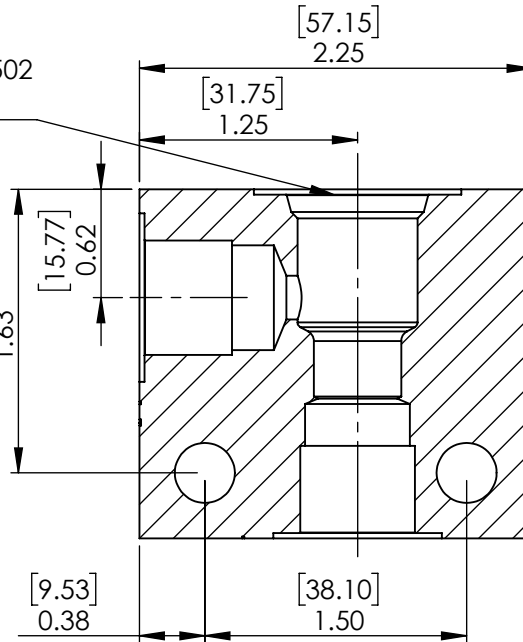


2 x  $\varnothing$  0.34 [8.73]  
Mounting Holes

Valve Cavity  
Doering C-8502  
Industry C8-2



**ORDER INFORMATION:**

S8502D-

**Ports 1&2**

- 1 (1/8 NPT)
- 2 (1/4 NPT)
- 3 (3/8 NPT)
- 4 (SAE4, ORB)
- G4 (G 1/4-19 BSPP)
- 6 (SAE6, ORB)
- G6 (G 3/8-19 BSPP)

**Material Option, Pressure Rating**

Pressure Note: Double pressure rating for Port 1 only.

Blank	(6061 Aluminum)	3,000 PSIG
S	(304 Stainless)	5,000 PSIG
S316	(316 Stainless)	5,000 PSIG