

D1- Monoblock Directional Control Valve Hydraulic

Functional Symbol:

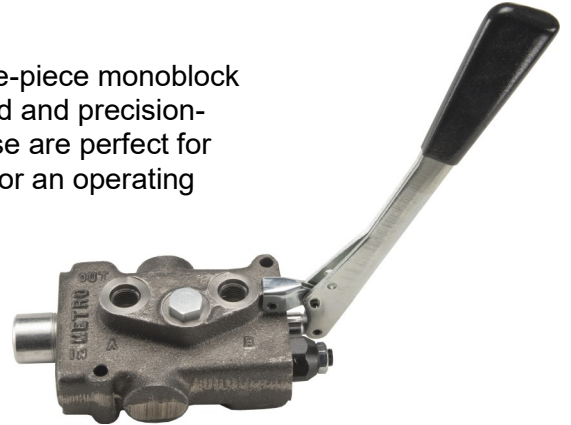
[Click here for spool options](#)

Description:

The Metro line of direction control valves, from Doering, has a one-piece monoblock body construction of high-tensile cast iron with hard chrome plated and precision-fitted spools for long life and low leakage. With its low profile, these are perfect for any mobile or agricultural hydraulic solutions. This valve is rated for an operating pressure of 3,000 psi (207 bar) and 6 GPM (22.7 LPM).

Features:

- Optional adjustable relief valves
- Power beyond options
- Handle options
- Spool detent and centering options
- Easy installation with pressure (inlet) and tank (outlet) ports on same end.
- Low profile valve, easy installation in tight locations
- Load check for each spool prevents accidental load drop (omitted with motor spool).
- SAE #6 ports



Installation Examples:

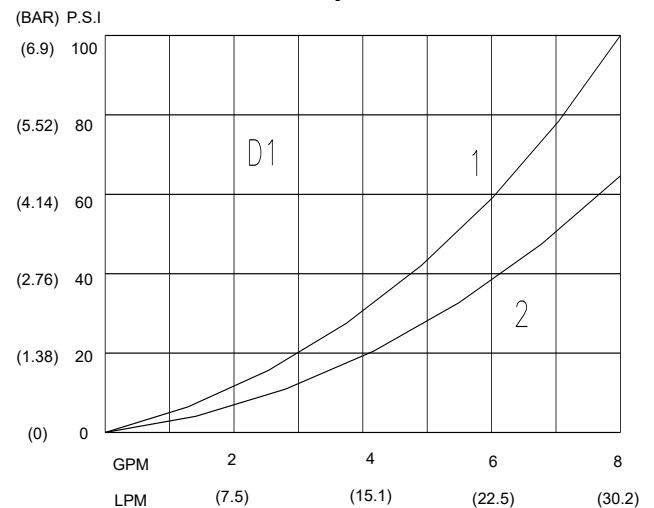
[Hydraulic Circuit- Selector Valve w Optional Float Spool](#)

[Hydraulic Circuit- Double Selector w Power Beyond Directional](#)

Specifications:

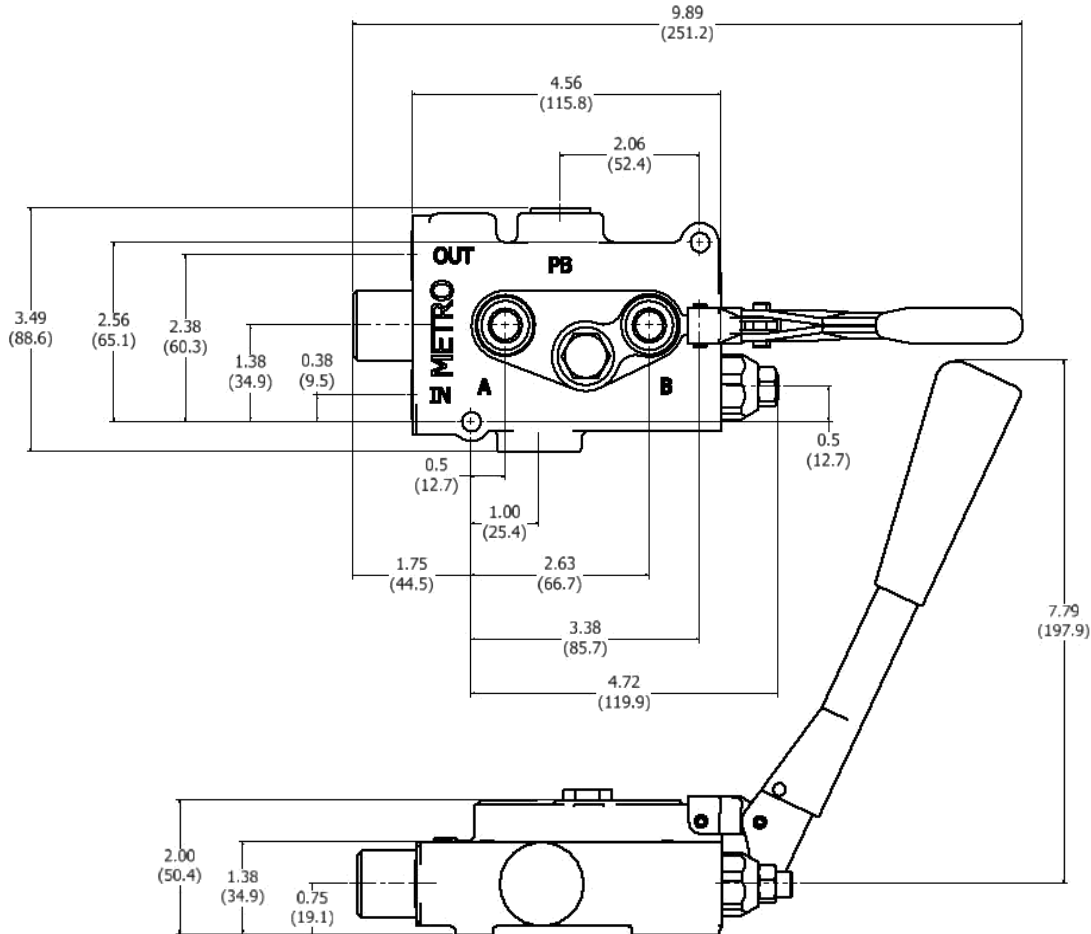
Flow Capacity	Pressure Rating	Temperature Range	Weight
6 GPM (22.7 LPM)	3000 PSI (207 Bar)	-22° to + 194° F -30° to + 90° C	4 LBS. 6 OZ (1.98 KG.)

Pressure Drop Characteristics:



D1- Monoblock Directional Control Valve Hydraulic

Technical:



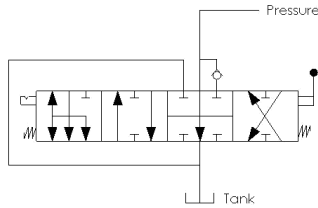
Ordering Instructions:

D1 **B** **T1** **P** **H** **ZP**

Model	Relief Pressure	Spool Type Options	Power Beyond	Handle Options	Finish Options
D1	O No Relief	T1 Float Spool	Q PB not included-plugged	H Stamped handle with grip	Blank Plain Casting
	N 900 PSI	T2 Tandem Spool-Spring Center	P Power Beyond	HU Stamped handle with grip. Configured to install handle 180°.	ZP Zinc Plated
	A 1000 PSI	T2FL Tandem Spool-Heavy Duty Spring Center	S Closed Center Plug	NL 90° Handle Position, Rod with handle	N Micro switch shroud and wires.
	B 1500 PSI	TE2 Tandem Spool-Spring Center w/ .250 hole in tang.		NLR 90° Handle Position, Rod with handle. Configured to install handle 180°.	NZP Micro switch shroud and wires. Zinc Plated
	C 2000 PSI	T3 Tandem Spool-3 Position Detent			
	D 2500 PSI	T4 Tandem Spool-Spring Center-Micro Switch			
	E 3000 PSI	T5 Tandem Spool-2 Position Detent, Spool In			
		T6 Tandem Spool- 2 Position Detent, Spool Out			
		M2 Motor Spool- Spring Center			
		M2FL Motor Spool- Heavy Duty Spring Center			
		M3 Motor Spool- 3 Position Detent			
		M4 Motor Spool- Spring Center- Micro Switch			
		M5 Motor Spool- 2 Position Detent, Spool In			
		M6 Motor Spool- 2 Position Detent, Spool Out			
	Y2 3 Way Spool- Spring Center				
	Y3 3 Way Spool- 3 Position Detent				
	Y4 3 Way Spool- Spring Center- Micro Switch				

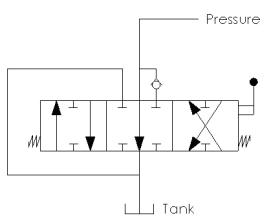
D1- Monoblock Directional Control Valve Hydraulic

Spool Type Options:



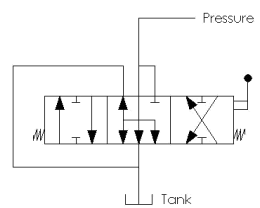
T1- FLOAT SPOOL (spool actuator options not available)

4 WAY 4 POSITION OPEN CENTER This spool option is used to control a double acting cylinder or a reversible motor. In the fourth position both of the work ports are open and oil goes through the open center passage. In neutral both of the work ports are blocked and oil goes through the open center passage to the next spool of a multi-spool valve or the power beyond of a single spool valve.



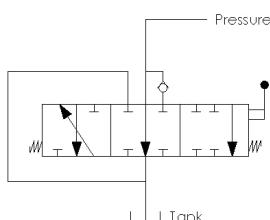
T- TANDOM SPOOL

4 WAY 3 POSITION OPEN CENTER This spool option is used to control a double acting cylinder or a reversible motor. In neutral both of the work ports are blocked and oil goes through the open center passage to the next spool of a multi-spool valve or the power beyond of a single spool valve.



M- MOTOR SPOOL

4 WAY 3 POSITION OPEN CENTER This spool option is used to control a double acting cylinder or a reversible motor. In neutral both of the work ports are open and oil goes through the open center passage to the next spool of a multi-spool valve or the power beyond of a single spool valve.



Y- 3 WAY 3 POSITION SPOOL

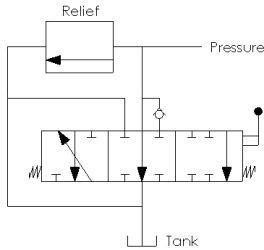
3 WAY 3 POSITION OPEN CENTER This spool option is used to control a single acting cylinder or a unidirectional motor. In neutral the work ports are blocked and oil goes through the open center passage to the next spool of a multi-spool valve or the power beyond of a single spool valve.

Spool Actuator Options:

- 2- Tandem Spool-Spring Center
- 2FL- Tandem Spool-Heavy Duty Spring Center
- E2- Tandem Spool-Spring Center w\ .250 hole in tang.
- 3- Tandem Spool-3 Position Detent
- 4- Tandem Spool-Spring Center-Micro Switch
- 5- Tandem Spool-2 Position Detent, Spool In
- 6- Tandem Spool- 2 Position Detent, Spool Out

D1- Monoblock Directional Control Valve Hydraulic

Relief Valve Options:

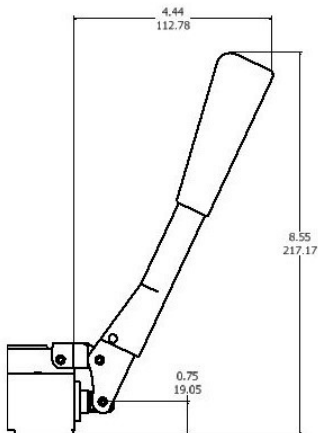


Relief Valve shown w/ 3 way 3 position

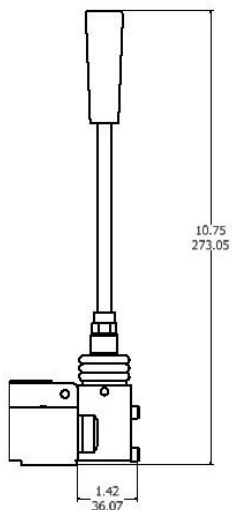
- O**– No relief valve installed
- N**– Relief valve set at 900 psi adjustable range is from (500 to 2499 psi)
- A**– Relief valve set at 1000 psi adjustable range is from (500 to 2499 psi)
- B**– Relief valve set at 1500 psi adjustable range is from (500 to 2499 psi)
- C**– Relief valve set at 2000 psi adjustable range is from (500 to 2499 psi)
- D**– Relief valve set at 2500 psi adjustable range is from (2500 to 3000 psi)
- E**– Relief valve set at 3000 psi adjustable range is from (2500 to 3000 psi)

Handle Options:

All Handles are shipped unassembled to prevent damage in transit.



- H**– Stamped handle with grip.
- HU**– Stamped handle with grip. Configured to install handle 180 degrees from image shown.



- NL**– 90 degree handle, Rod with handle
- NLR**– 90 degree handle, Rod with handle. Configured to install handle 180 degrees from image shown.