

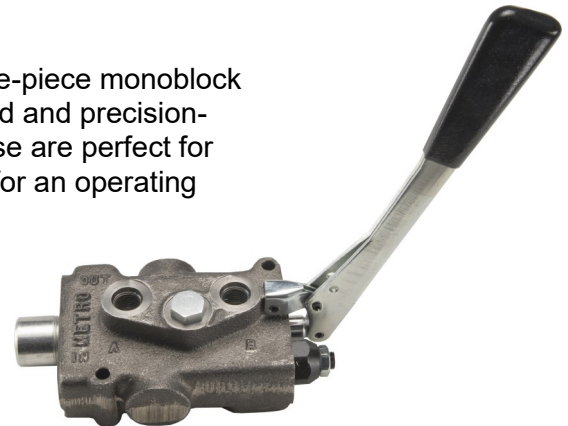
## D1- Monoblock Directional Control Valve Hydraulic

### Functional Symbol:

[Click here for spool options](#)

### Description:

The Metro line of direction control valves, from Doering, has a one-piece monoblock body construction of high-tensile cast iron with hard chrome plated and precision-fitted spools for long life and low leakage. With its low profile, these are perfect for any mobile or agricultural hydraulic solutions. This valve is rated for an operating pressure of 3,000 psi (207 bar) and 6 GPM (22.7 LPM).



### Features:

- Optional adjustable relief valves
- Power beyond options
- Handle options
- Spool detent and centering options
- Easy installation with pressure (inlet) and tank (outlet) ports on same end.
- Low profile valve, easy installation in tight locations
- Load check for each spool prevents accidental load drop (omitted with motor spool).
- SAE #6 ports

### Installation Examples:

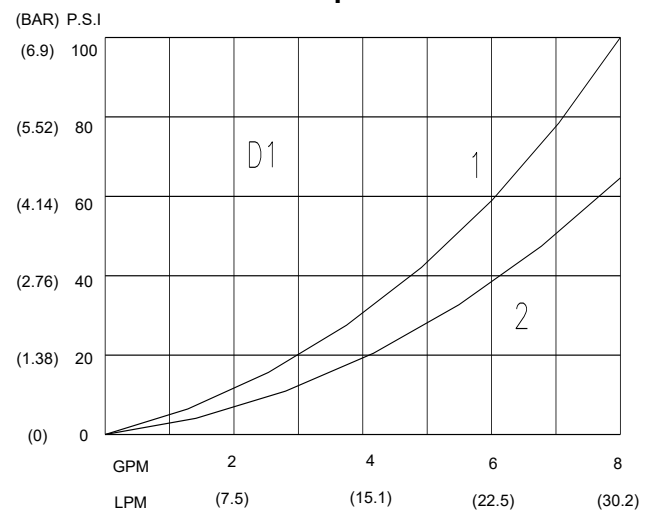
[Hydraulic Circuit- Selector Valve w Optional Float Spool](#)

[Hydraulic Circuit- Double Selector w Power Beyond Directional](#)

### Specifications:

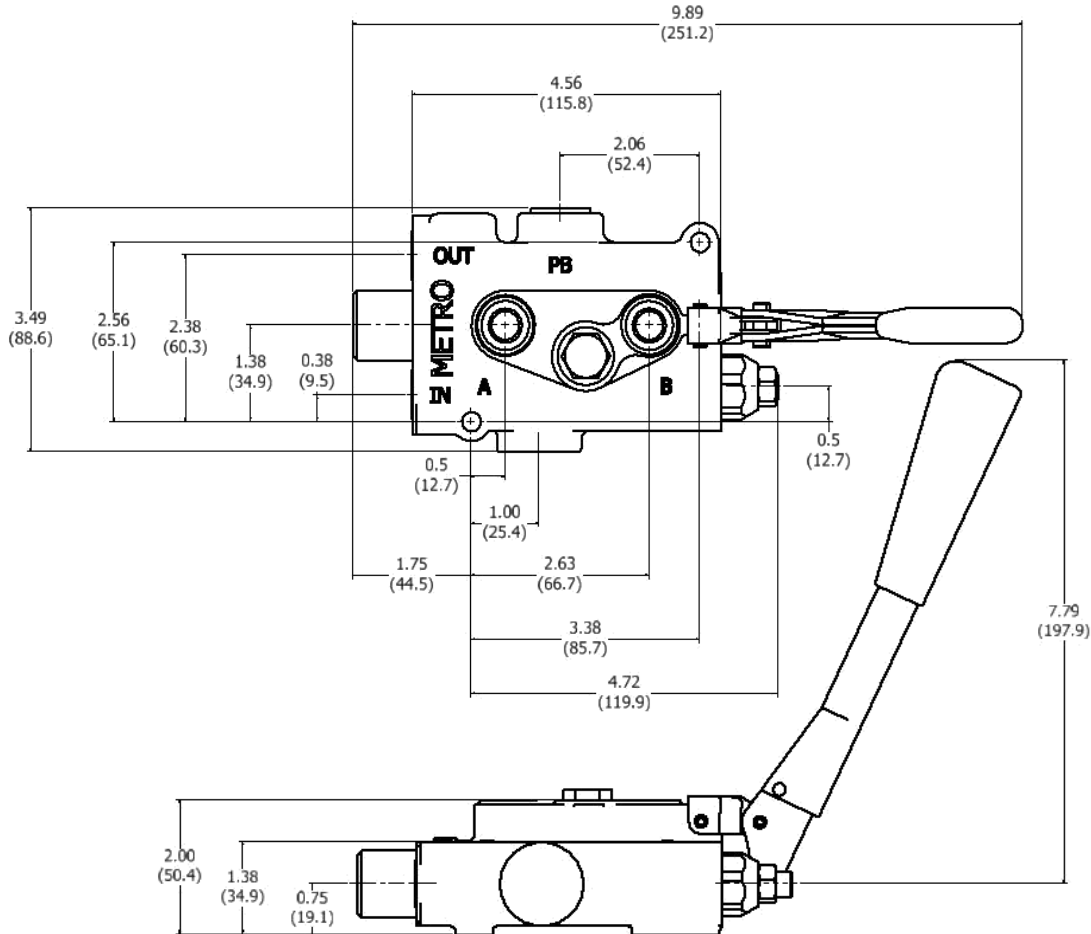
Flow	Pressure	Temperature	
6 GPM (22.7 LPM)	3000 PSI (207 Bar)	-22° to + 194° F -30° to + 90° C	4 LBS. 6 OZ (1.98 KG.)

### Pressure Drop Characteristics:



# D1- Monoblock Directional Control Valve Hydraulic

**Technical:**



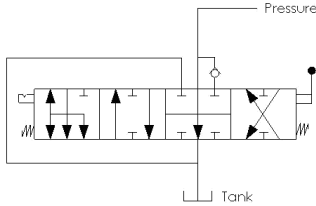
**Ordering Instructions:**

**D1 B T1 P H ZP**

Model	Relief Pressure	Spool Type Options	Power Beyond	Handle Options	Finish Options
<b>D1</b>	<b>O</b> No Relief	<b>T1</b> Float Spool	<b>Q</b> PB not included-plugged <b>P</b> Power Beyond <b>S</b> Closed Center Plug	<b>H</b> Stamped handle with grip	<b>Blank</b> Plain Casting <b>ZP</b> Zinc Plated <b>N</b> Micro switch shroud and wires. <b>NDO</b> Micro switch shroud and wires, N/O. Dipped with protective coating. <b>NDC</b> Micro switch shroud and wires, N/C. Dipped with protective coating. <b>NZP</b> Micro switch shroud and wires. Zinc Plated
	<b>G</b> 900 PSI	<b>T2</b> Tandem Spool-Spring Center		<b>HU</b> Stamped handle with grip. Configured to install handle 180°.	
	<b>A</b> 1000 PSI	<b>T2FL</b> Tandem Spool-Heavy Duty Spring Center		<b>NL</b> 90° Handle Position, Rod with handle	
	<b>B</b> 1500 PSI	<b>TE2</b> Tandem Spool-Spring Center w/.250 hole in tang.		<b>NLR</b> 90° Handle Position, Rod with handle. Configured to install handle 180°.	
	<b>C</b> 2000 PSI	<b>T3</b> Tandem Spool-3 Position Detent			
	<b>D</b> 2500 PSI	<b>T4</b> Tandem Spool-Spring Center-Micro Switch			
	<b>E</b> 3000 PSI	<b>T5</b> Tandem Spool-2 Position Detent, Spool In			
		<b>T6</b> Tandem Spool- 2 Position Detent, Spool Out			
		<b>M2</b> Motor Spool- Spring Center			
		<b>M2FL</b> Motor Spool- Heavy Duty Spring Center			
		<b>M3</b> Motor Spool- 3 Position Detent			
		<b>M4</b> Motor Spool- Spring Center- Micro Switch			
		<b>M5</b> Motor Spool- 2 Position Detent, Spool In			
		<b>M6</b> Motor Spool- 2 Position Detent, Spool Out			
		<b>Y2</b> 3 Way Spool- Spring Center			
		<b>Y3</b> 3 Way Spool- 3 Position Detent			
	<b>Y4</b> 3 Way Spool- Spring Center- Micro Switch				

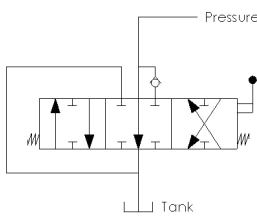
## D1- Monoblock Directional Control Valve Hydraulic

### Spool Type Options:



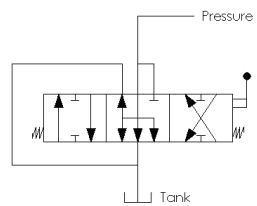
#### **T1- FLOAT SPOOL (spool actuator options not available)**

**4 WAY 4 POSITION OPEN CENTER** This spool option is used to control a double acting cylinder or a reversible motor. In the fourth position both of the work ports are open and oil goes through the open center passage. In neutral both of the work ports are blocked and oil goes through the open center passage to the next spool of a multi-spool valve or the power beyond of a single spool valve.



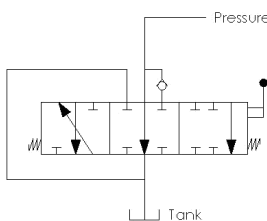
#### **T- TANDOM SPOOL**

**4 WAY 3 POSITION OPEN CENTER** This spool option is used to control a double acting cylinder or a reversible motor. In neutral both of the work ports are blocked and oil goes through the open center passage to the next spool of a multi-spool valve or the power beyond of a single spool valve.



#### **M- MOTOR SPOOL**

**4 WAY 3 POSITION OPEN CENTER** This spool option is used to control a double acting cylinder or a reversible motor. In neutral both of the work ports are open and oil goes through the open center passage to the next spool of a multi-spool valve or the power beyond of a single spool valve.



#### **Y- 3 WAY 3 POSITION SPOOL**

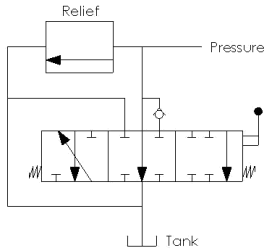
**3 WAY 3 POSITION OPEN CENTER** This spool option is used to control a single acting cylinder or a unidirectional motor. In neutral the work ports are blocked and oil goes through the open center passage to the next spool of a multi-spool valve or the power beyond of a single spool valve.

### Spool Actuator Options:

- 2-** Tandem Spool-Spring Center
- 2FL-** Tandem Spool-Heavy Duty Spring Center
- E2-** Tandem Spool-Spring Center w\ .250 hole in tang.
- 3-** Tandem Spool-3 Position Detent
- 4-** Tandem Spool-Spring Center-Micro Switch
- 5-** Tandem Spool-2 Position Detent, Spool In
- 6-** Tandem Spool- 2 Position Detent, Spool Out

## D1- Monoblock Directional Control Valve Hydraulic

### Relief Valve Options:

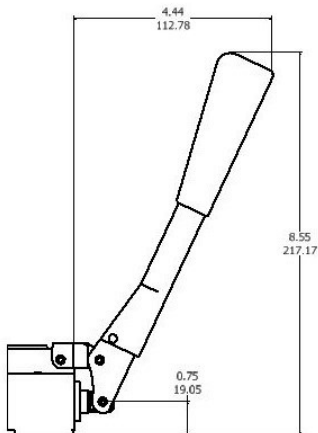


Relief Valve shown w/ 3 way 3 position

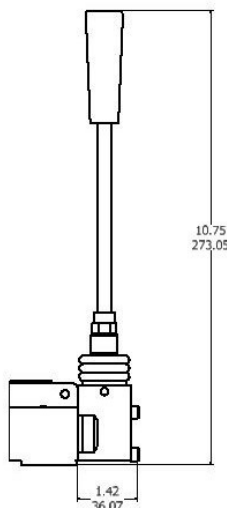
- O**– No relief valve installed
- G**– Relief valve set at 900 psi adjustable range is from (500 to 2499 psi)
- A**– Relief valve set at 1000 psi adjustable range is from (500 to 2499 psi)
- B**– Relief valve set at 1500 psi adjustable range is from (500 to 2499 psi)
- C**– Relief valve set at 2000 psi adjustable range is from (500 to 2499 psi)
- D**– Relief valve set at 2500 psi adjustable range is from (2500 to 3000 psi)
- E**– Relief valve set at 3000 psi adjustable range is from (2500 to 3000 psi)

### Handle Options:

All Handles are shipped unassembled to prevent damage in transit.



- H**– Stamped handle with grip.
- HU**– Stamped handle with grip. Configured to install handle 180 degrees from image shown.



- NL**– 90 degree handle, Rod with handle
- NLR**– 90 degree handle, Rod with handle. Configured to install handle 180 degrees from image shown.