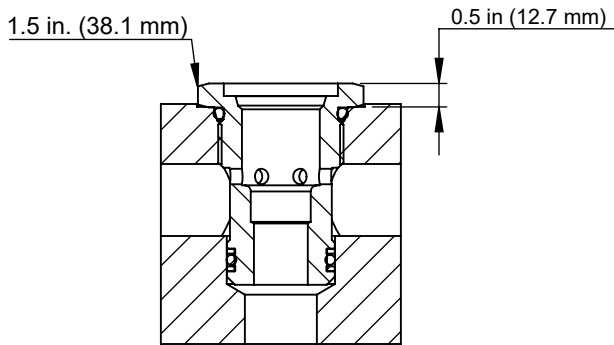
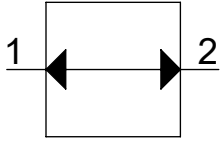


DCA162-102 Cavity Adapter 16-2 to 10-2

Functional Symbol:



Description:

Cavity adapter converts a 16-2 cavity to a 10-2

Operation:

Works in hydraulic fluid

Features:

- Standard material for bodies is 316 stainless-steel
- Standard material for O-rings is Nitrile
- Option seal materials are available
- Standard material for Backup Rings in Teflon
- Industry common cavities

Ratings:

Operating Pressure:

Maximum Allowable Pressure at Port 2:

Operating Temperature: -40 to 100° C (-40 to 212° F) with Buna N seals; -26 to 204° C (-15 to 400° F) with Fluorocarbon seals; -57 to 121° C (70 to 250° F) with Ethylene Propylene seals

Technical:

Cavity Size	Pound-Foot	(Newton-Meter)
10	43-48	(59-64)
12	112-123	(152-166)

Ordering Information

Adapter

DCA162 - 102 X

O-Rings

N = Nitrile (NBR, Buna N)

V = Fluorocarbon (FKM, Florel, Viton)

R = Ethylene Propylene (EPR, EPM, EPDM)

Seal Kits

SKR162 - 102 X